

ALCP-Series (Aluminum Cover Plate)

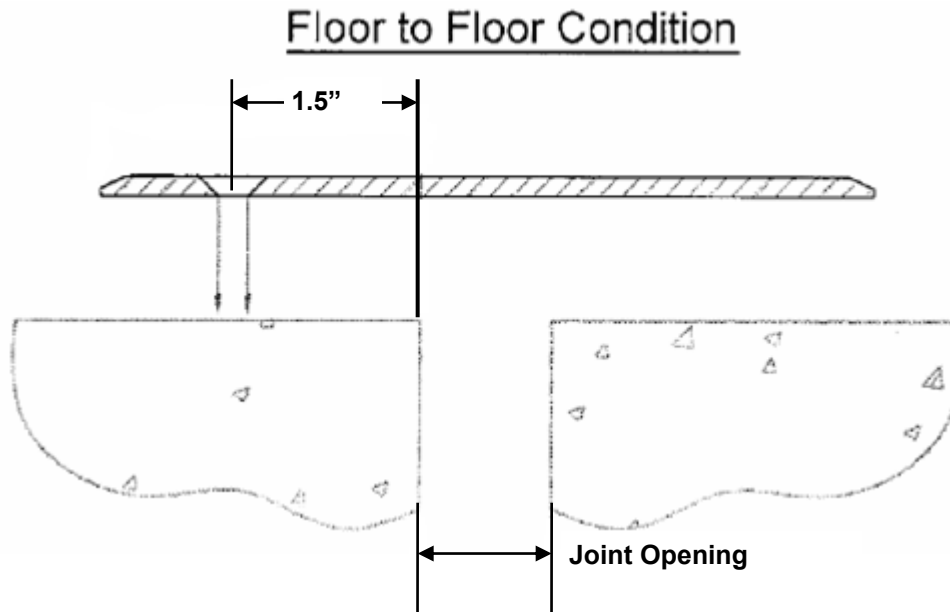
INSTALLATION INSTRUCTIONS

The following installation procedure is very important and must be fully understood prior to beginning any work. To ensure proper installation and performance of the aluminum cover plate system the following must be completed by the installing contractor. Failure to do so will affect product warranty.

Material Preparation

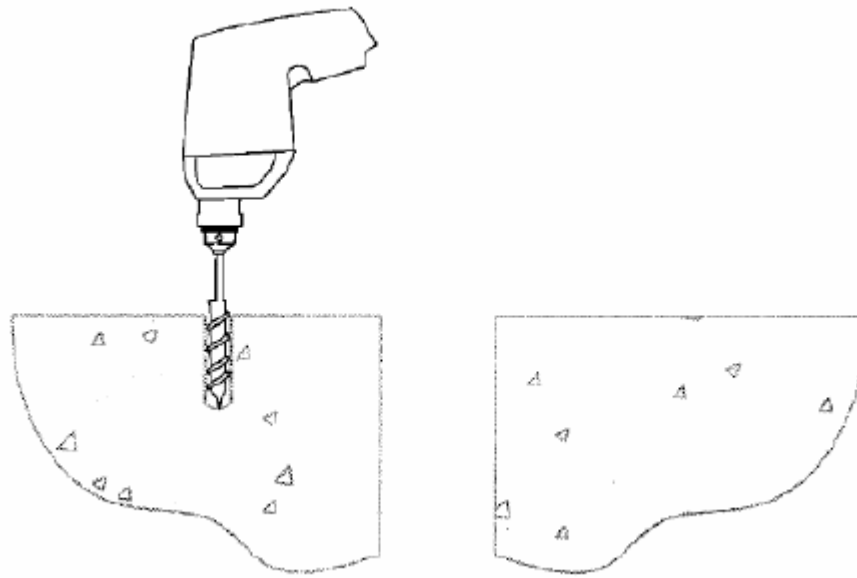
1. Carefully read and understand installation procedure. Contact Technical Service Department (716-542-3991) for product assistance.
2. Inspect all shipments and materials for missing or damaged components and hardware. Contact Customer Service (716-542-3991) with order number for prompt assistance.
3. Inspect substrate or adjacent construction for acceptance before beginning work. Report unacceptable construction to the project manager for scheduled repair work.

Material Installation

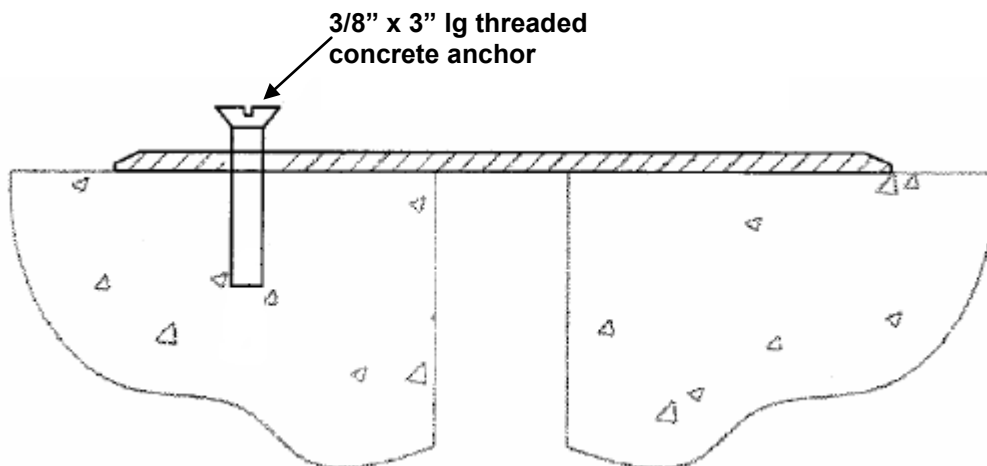


1. Position aluminum cover plate as shown and mark location for 3/8" dia anchor.

Material Installation



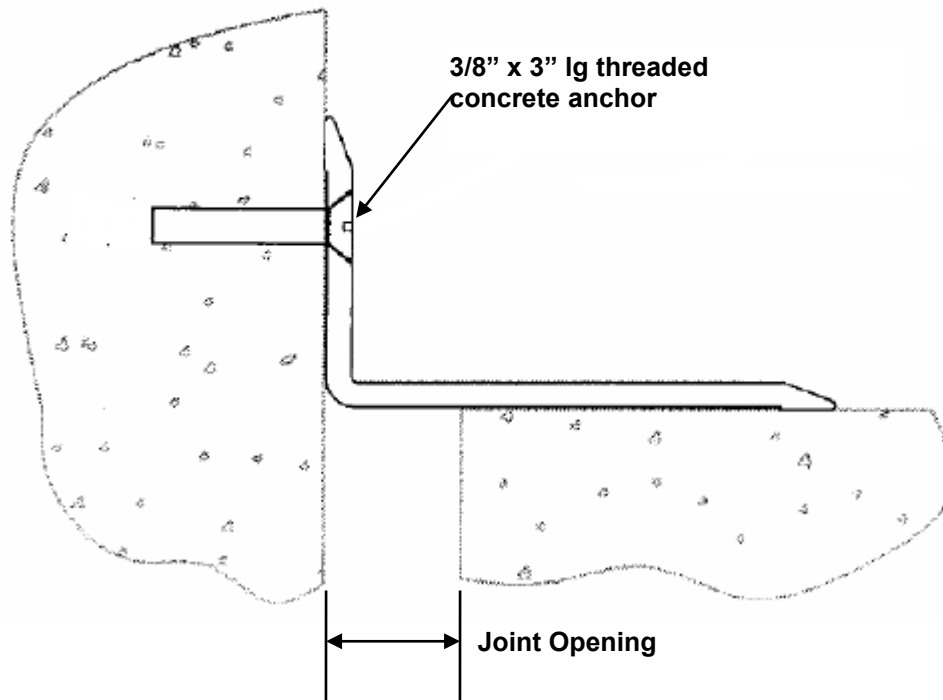
2. Drill and clean out holes for 3/8" dia threaded concrete anchor spaced at 12" O.C. Fill hole with two- part epoxy (supplied by others).



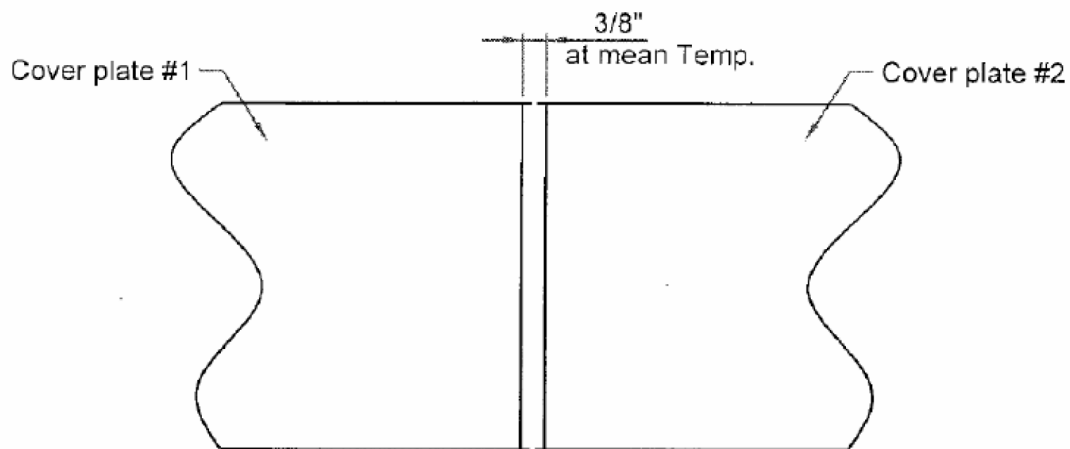
3. After holes have been filled with epoxy, insert 3/8" threaded concrete anchors into aligned holes and fasten coverplate to finished floor surface.

Material Installation

Corner Condition



4. For corner condition—Following same procedure as for floor-to-floor installation, except use cover plate for floor-to-wall condition.



5. **Exterior Installation:**
At 50' increments, leave 3/8" gap to allow for thermal expansion of coverplate. This is done to ensure that the coverplate has enough room for thermal expansion/contracting and will not warp the coverplate.