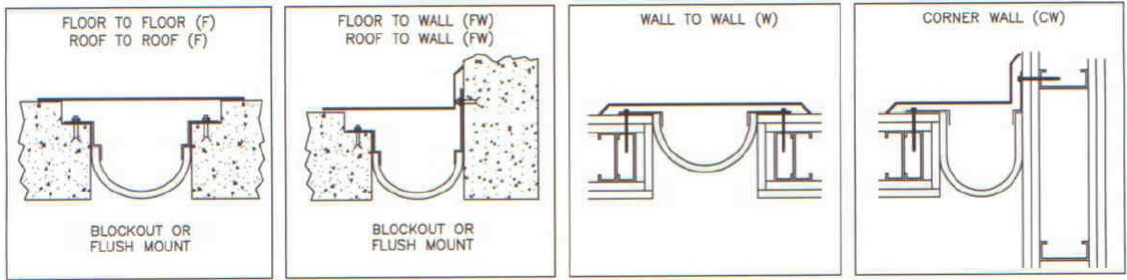


FB-Series (Fire Barrier)

INSTALLATION INSTRUCTIONS



<i>FLOOR-TO-FLOOR</i>	<i>FLOOR-TO-WALL</i>	<i>WALL-TO-WALL</i>	<i>CORNER WALL</i>
FB-100	FBFW-100	FBW-100	FBWC-100
FB-200	FBFW-200	FBW-200	FBWC-200
FB-300	FBFW-300	FBW-300	FBWC-300
FB-400	FBFW-400	FBW-400	FBWC-400
FB-500	FBFW-500	FBW-500	FBWC-500
FB-600	FBFW-600	FBW-600	FBWC-600

General Instructions

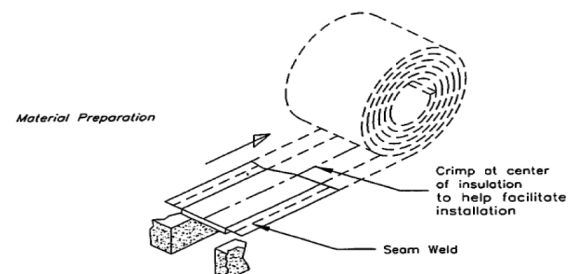
- Fire barriers must be installed in accordance with installation instructions to maintain UL® Rating.
- These instructions are for all horizontal and vertical FB installations for 1” to 6” nominal joint widths.
- If splicing is required, see the separate splicing instructions.
- The galvanized flanges are always required for installation.
- Appropriate fasteners supplied by others are required for all the horizontal and vertical installations.
- Typically, the same fasteners can be used to fasten the cover plate mechanism and the fire barriers.
- Wear heavy duty work gloves and eye protection during the entire installation process.

Packaging

Each carton contains one 25 foot roll of FB Fire Barrier, one kit with the necessary material for splicing, the installation instructions and the splicing instructions. The galvanized flanges necessary for installation are packaged separately.

Material Preparation

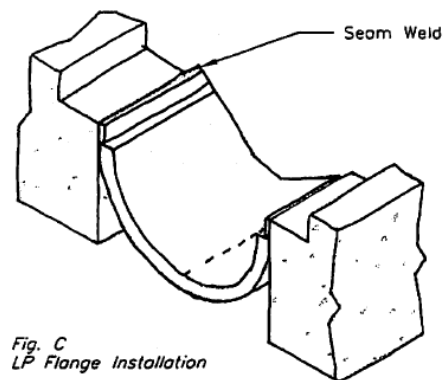
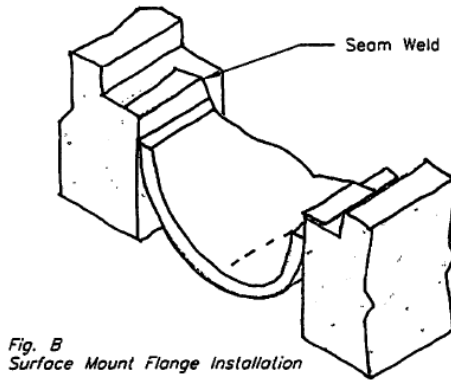
Roll out product face up (the side with the UL label) and cut to length. The insulation portion of the product can be formed into a “U” or “V” shape to help it fit into the expansion joint. This can be done by crimping the insulation along the center line with a pipe or board.



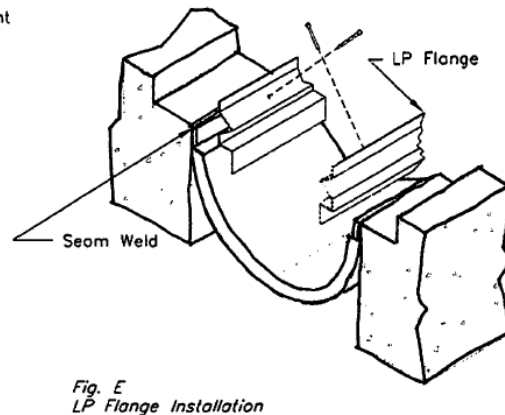
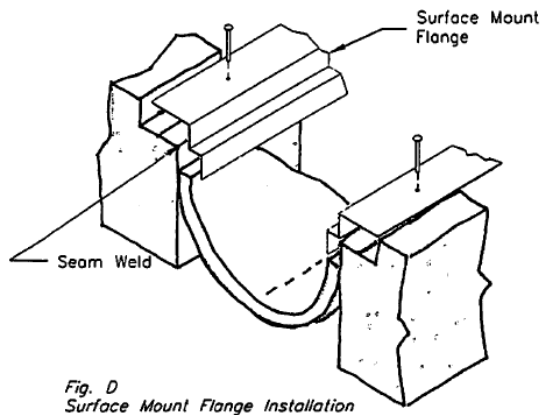
Material Installation

Horizontal or Floor and Roof Joints

1. After completing material preparation described on page 1, place the fire barrier in the expansion joint. The foil flanges can be folded along the seam weld line onto the exposed face of the concrete slab. (Fig. B) With the Low Profile galvanized flange, the foil flanges can be folded along the seam weld line down inside the expansion joint recess so that no part of the barrier is on the exposed surface of the floor. (Fig. C)



2. Cut the galvanized flanges to length and drill appropriate size holes with maximum spacing of 18". Install the flanges with appropriate fasteners as shown. (Fig. D & E)



3. Install the expansion joint covers over the joint or in the blockout with appropriate fasteners.

Material Installation

Floor to Wall or Roof to Wall

1. After completing material preparation described on page 1, place the fire barrier in the expansion joint. The foil flanges can be folded along the seam weld line onto the exposed face of the floor slab. The foil flange can be run up the wall on the other side of the joint. (Fig. B2) With the Low Profile galvanized flange configuration on the wall side, the foil flange can be folded over itself before the galvanized flange is fastened into place. (Fig. C2)

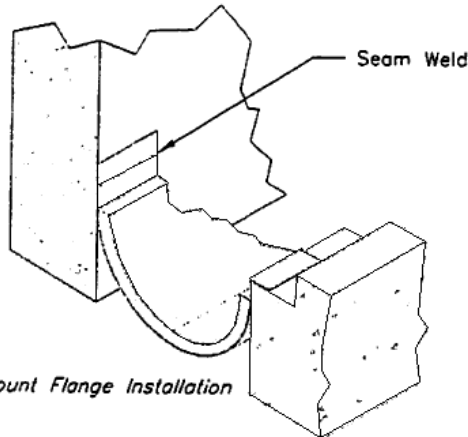


Fig. B2
Surface Mount Flange Installation

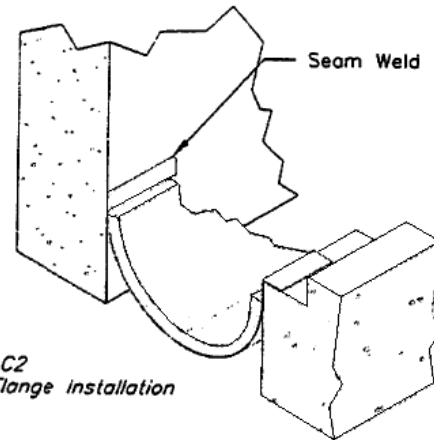


Fig. C2
LP Flange Installation

2. Cut the galvanized flanges to length and drill appropriate size holes with maximum spacing of 18". Install the flanges with appropriate fasteners as shown. (Fig. D2 & E2)

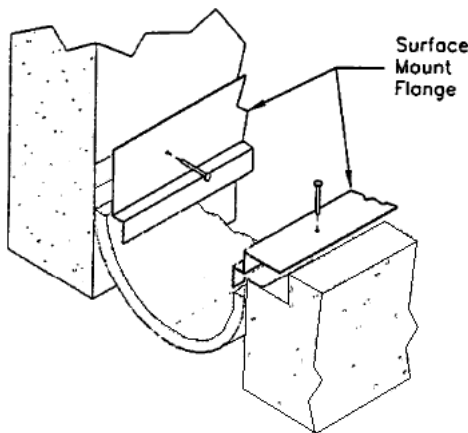


Fig. D2
Surface Mount Flange Installation

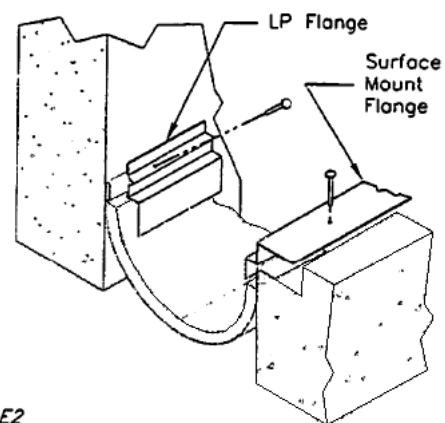


Fig. E2
LP Flange Installation

3. Install the expansion joint covers over the joint or in the blockout with appropriate fasteners.

Material Installation

Wall Joints

1. After completing material preparation described on page 1 and as shown in Fig. A, place the fire barrier in the expansion joint. The foil flanges can be entirely on the exposed surface of the wall for the surface mount galvanized flange. (Fig. B1) With the Low Profile galvanized flanges, the foil flanges can be inside the joint cavity so that no part of the barrier is on the exposed surface of the wall. (Fig. C1)

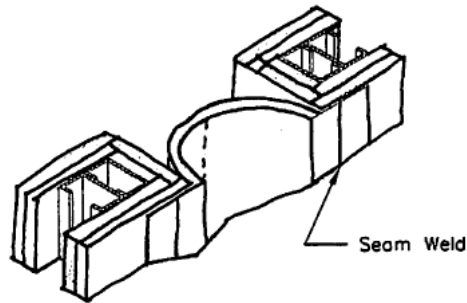


Fig. B1
Surface Mount Flange Installation

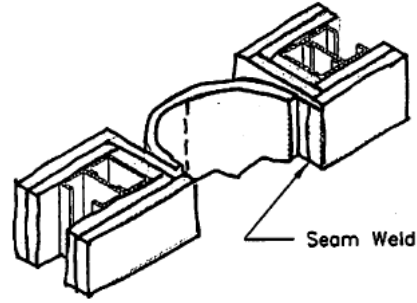


Fig. C1
LP Flange Installation

2. Cut the galvanized flanges to length and drill appropriate size holes with maximum spacing of 18". Install the flanges with appropriate fasteners (by others) as shown. (Fig. D1 & E1)

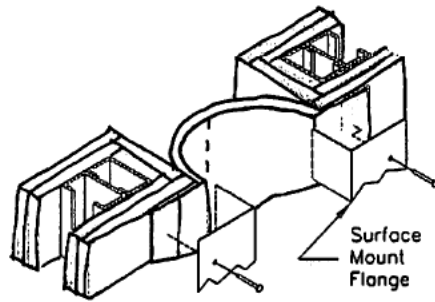


Fig. D1
Surface Mount Flange Installation

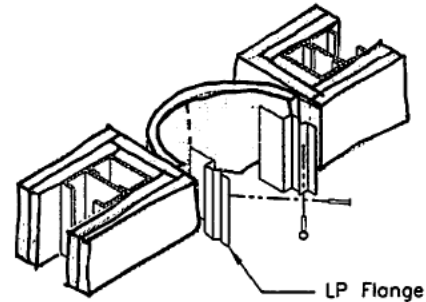


Fig. E1
LP Flange Installation

3. Install the expansion joint covers to either side or both sides of the wall when accessible with appropriate fasteners.

Material Installation

Corner Wall

1. After completing material preparation described on page 1, place the fire barrier in the expansion joint. The foil flanges can be folded along the seam weld line onto the exposed face of the wall. The foil flange can be run out the wall on the other side of the joint. (Fig. B3) With the Low Profile galvanized flange configuration on the wall side, the foil flange can be folded over itself before the galvanized flange is fastened into place. (Fig. C3)

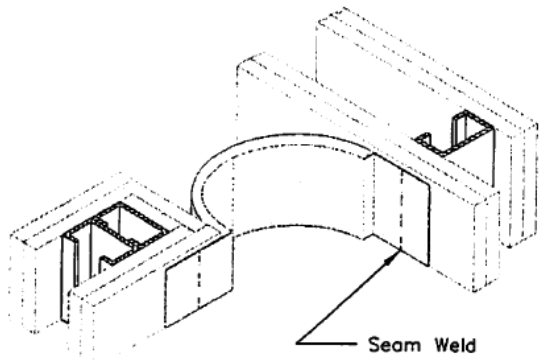


Fig. B3
Surface Mount Flange Installation

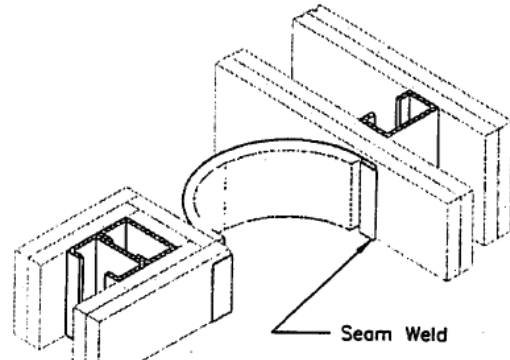


Fig. C3
LP Flange Installation

2. Cut the galvanized flanges to length and drill appropriate size holes with maximum spacing of 18". Install the flanges with appropriate fasteners as shown. (Fig. D3 & E3)

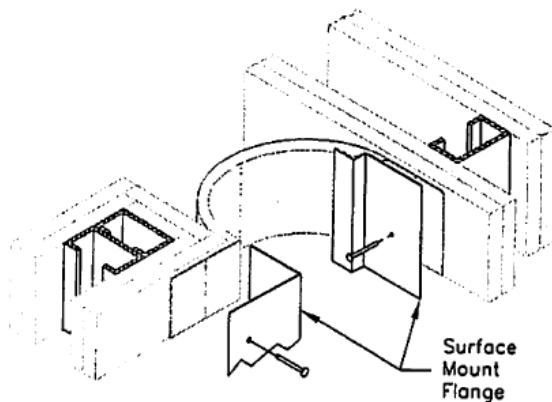


Fig. D3
Surface Mount Flange Installation

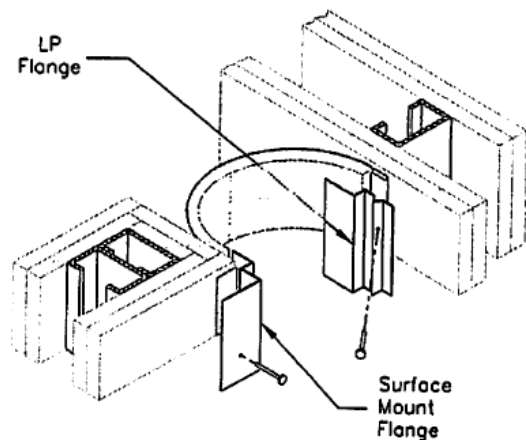


Fig. E3
LP Flange Installation

3. Install the expansion joint covers to either side or both sides of the wall when accessible with appropriate fasteners.