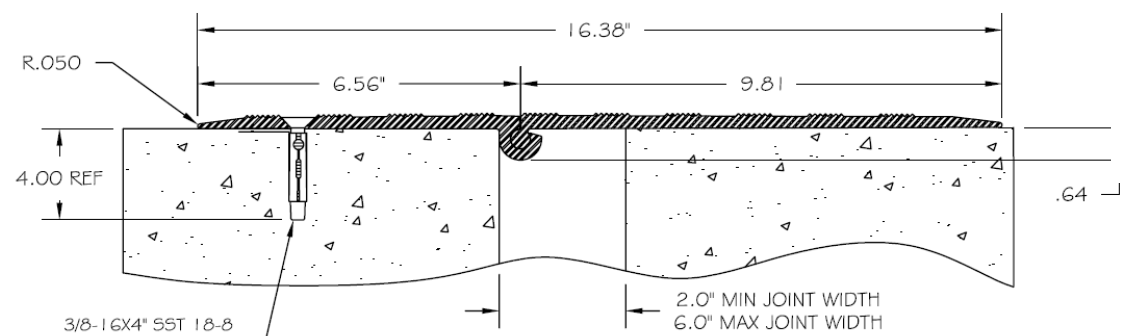


- NOTES:
- 6063-T6 ALUMINUM EXTRUSION, 10 FT LENGTHS
  - MILL FINISH
  - SUPPLIED WITH MOUNTING BOLTS, EPOXY AND 2 MIXING TIPS
  - EPOXY GUN ORDERED SEPARATELY P/N 5699
  - MALE PIECE RESTS ON LOWER FLOOR LEVEL WHEN APPLICABLE
    - 5° UPWARD MOVEMENT (MAX)
    - 15° DOWNWARD MOVEMENT (MAX)
  - ADA COMPLIANT TO SECTION 4.5.2

JOINT WIDTH	POINT LOAD (lb)	DISTRIBUTED LOAD (lb/in <sup>2</sup> )
<input type="checkbox"/> 2"	1000	700
<input type="checkbox"/> 3"	700	300
<input type="checkbox"/> 4"	600	160
<input type="checkbox"/> 5"	500	100
<input type="checkbox"/> 6"	400	60



**SURFACE CROSS SECTION**  
(NOT TO SCALE)

NO.	Description	Date	By

The information contained herein is the proprietary property of ERIE METAL SPECIALTIES, INC. No portion of it may be reproduced by any means or used in any form except for the purpose for which it was intended. All rights of design and invention are hereby reserved.



13311 Main Road • Akron • New York • 14001  
 Phone: (716) 542-3991 • Fax: (716) 542-3996 • E-mail: sales@eriemetal.com

**PROJECT:** N/A  
**TITLE:** ALHCP Aluminum Hinged Cover Plate

Detailed by: KAA	Date: 11/05/08
Checked By: AWG	Date: 11/05/08
Scale: NTS	EMS Job #:
Sheet No.: 1 of 1	Drawing No.: ALHFC