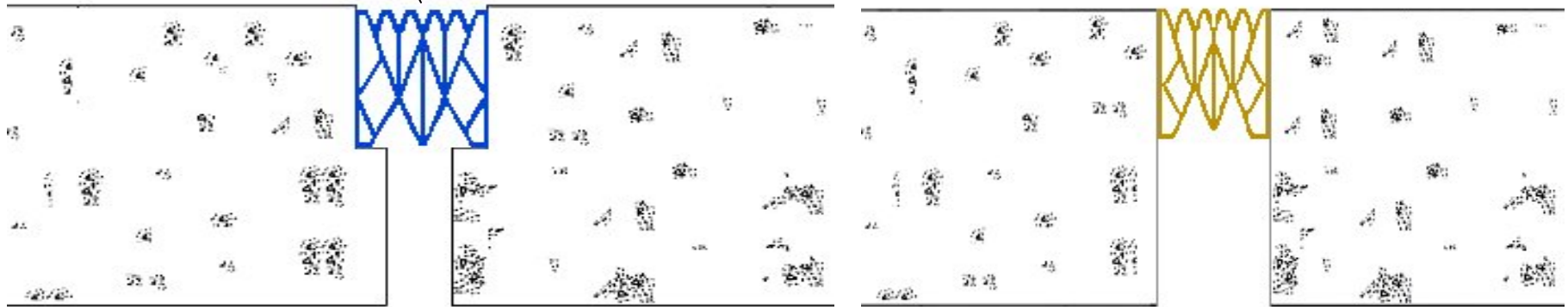


AR-Series **COLORABLE** Seal bonded in place with EMS LUBE/ADHESIVE

AR-Series **COLORABLE** Seal bonded in place with EMS LUBE/ADHESIVE



FLOOR-TO-FLOOR

WALL-TO-WALL

NO.	Description	Date	By

The information contained herein is the proprietary property of ERIE METAL SPECIALTIES, INC. No portion of it may be reproduced by any means or used in any form except for the purpose for which it was intended. All rights of design and invention are hereby reserved.



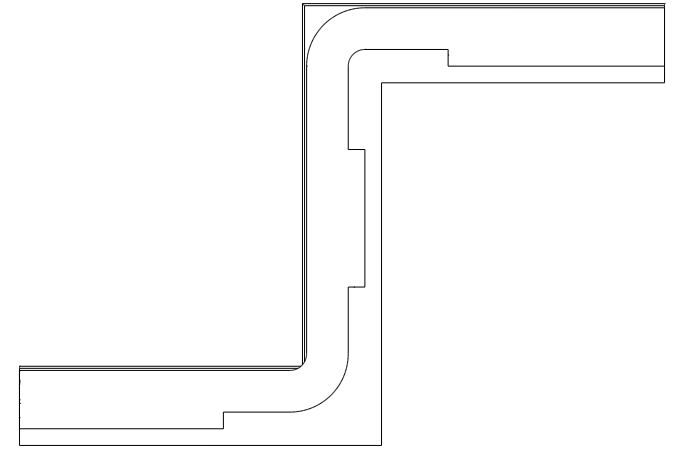
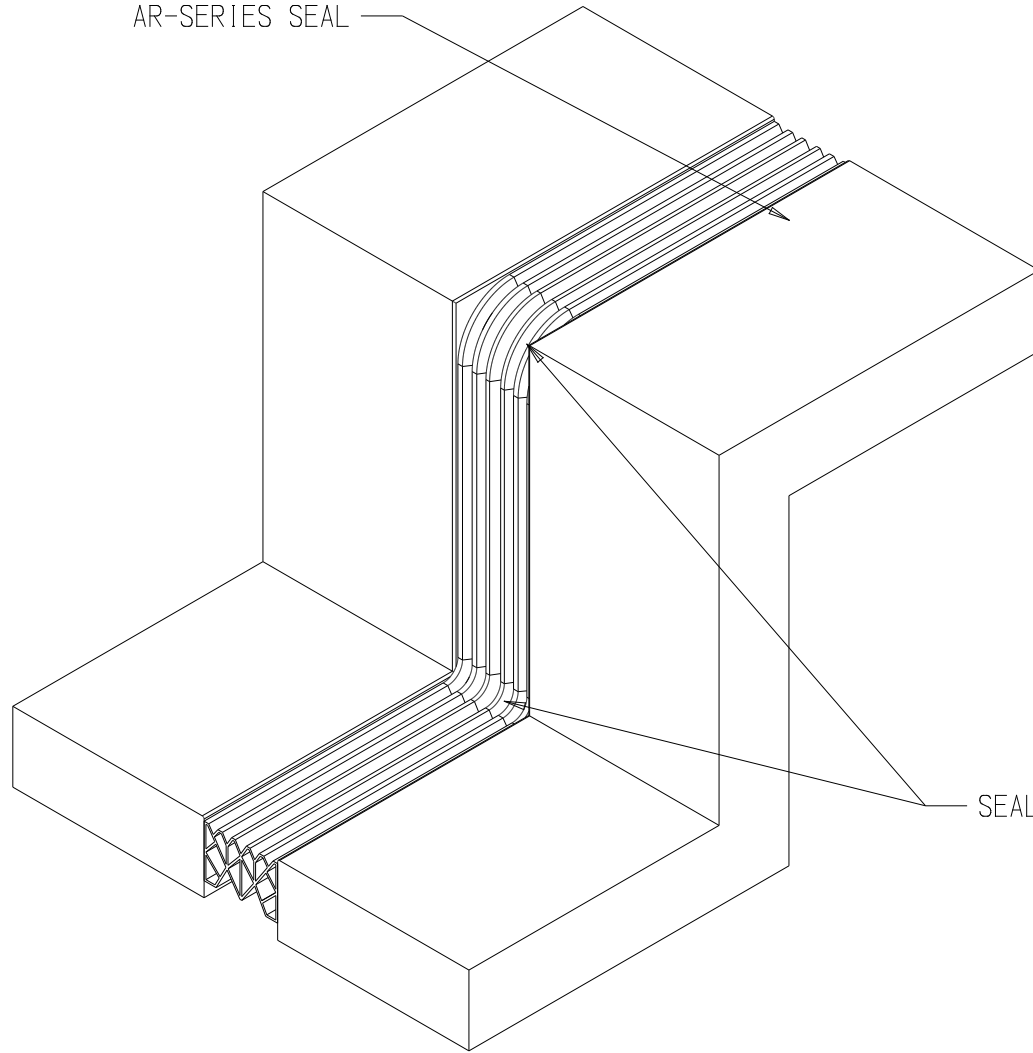
13311 Main Road • Akron • New York • 14001
 Phone: (716) 542-3991 • Fax: (716) 542-3996 • E-mail: sales@eriemetal.com

PROJECT:

TITLE: AR-Series **COLORABLE** Joint Seals

Detailed by: AWG	Date: 10/9/00
Checked By: LJB	Date: 10/21/00
Scale: NTS	EMS Job #:
Sheet No.: 1 of 1	Drawing No.: CD-100-2

AR-SERIES SEAL



SEAL BENDS AROUND CORNERS



The information contained herein is the proprietary property of Erie Metal Specialties, Inc. No portion of it may be reproduced by any means or used in any form except for the purpose for which it was intended.

PROJECT:

TITLE: AR-SERIES -CURB DETAIL

Detailed by:

Date: 6-13-07

Checked by:

Date:

Scale: NTS

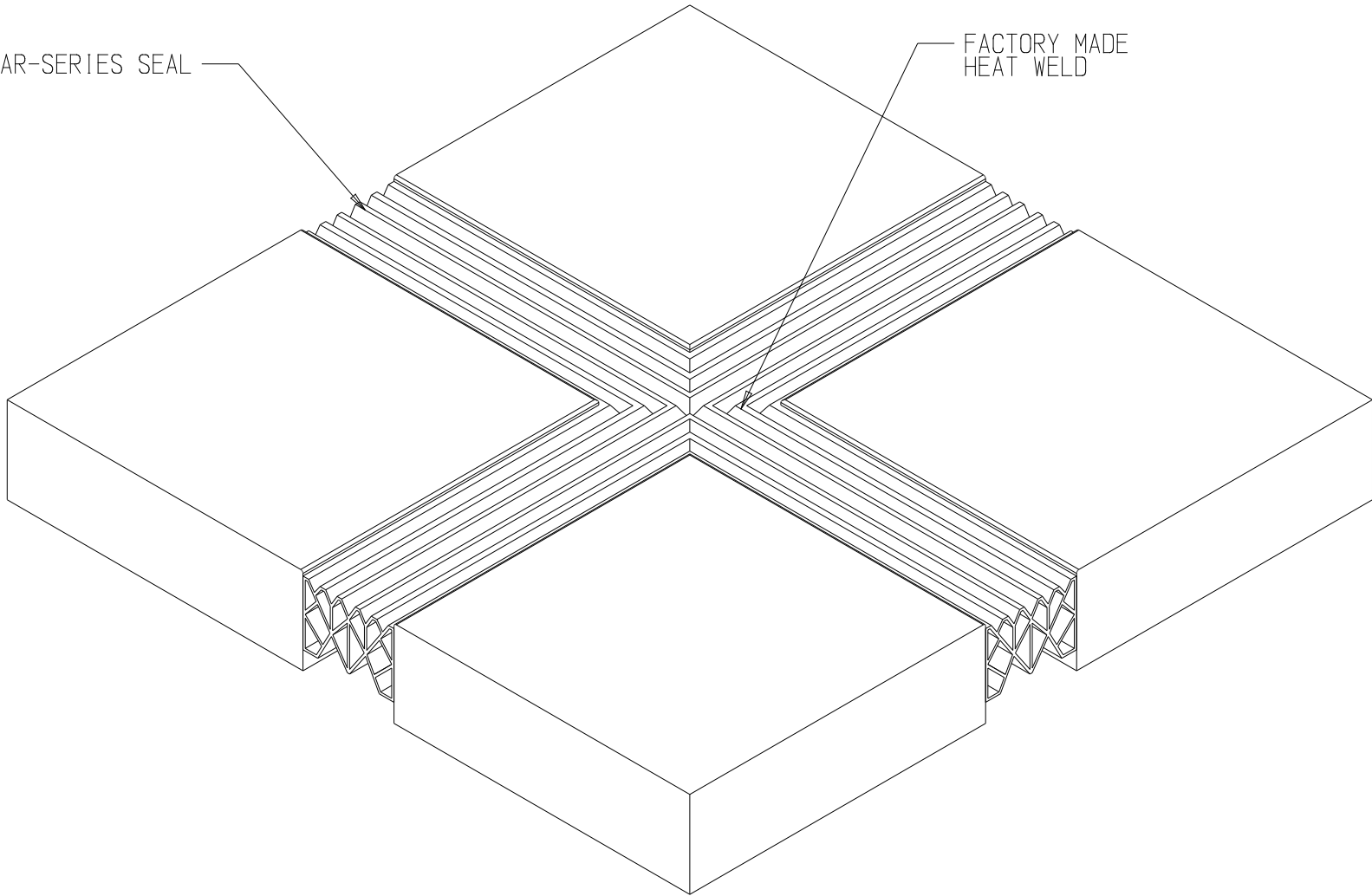
EMS Job #:

Sheet #:

Drawing #:

AR-SERIES SEAL

FACTORY MADE
HEAT WELD



The information contained herein is the proprietary property of Erie Metal Specialties, Inc. No portion of it may be reproduced by any means or used in any form except for the purpose for which it was intended.

PROJECT:

TITLE: AR-SERIES -CROSS INTERSECTION DETAIL

Detailed by:

Date: 6-13-07

Checked by:

Date:

Scale: NTS

EMS Job #:

Sheet #:

Drawing #: