

NO.	Description	Date	By
<p>The information contained herein is the proprietary property of ERIE METAL SPECIALTIES, INC. No portion of it may be reproduced by any means or used in any form except for the purpose for which it was intended. All rights of design and invention are hereby reserved.</p>			

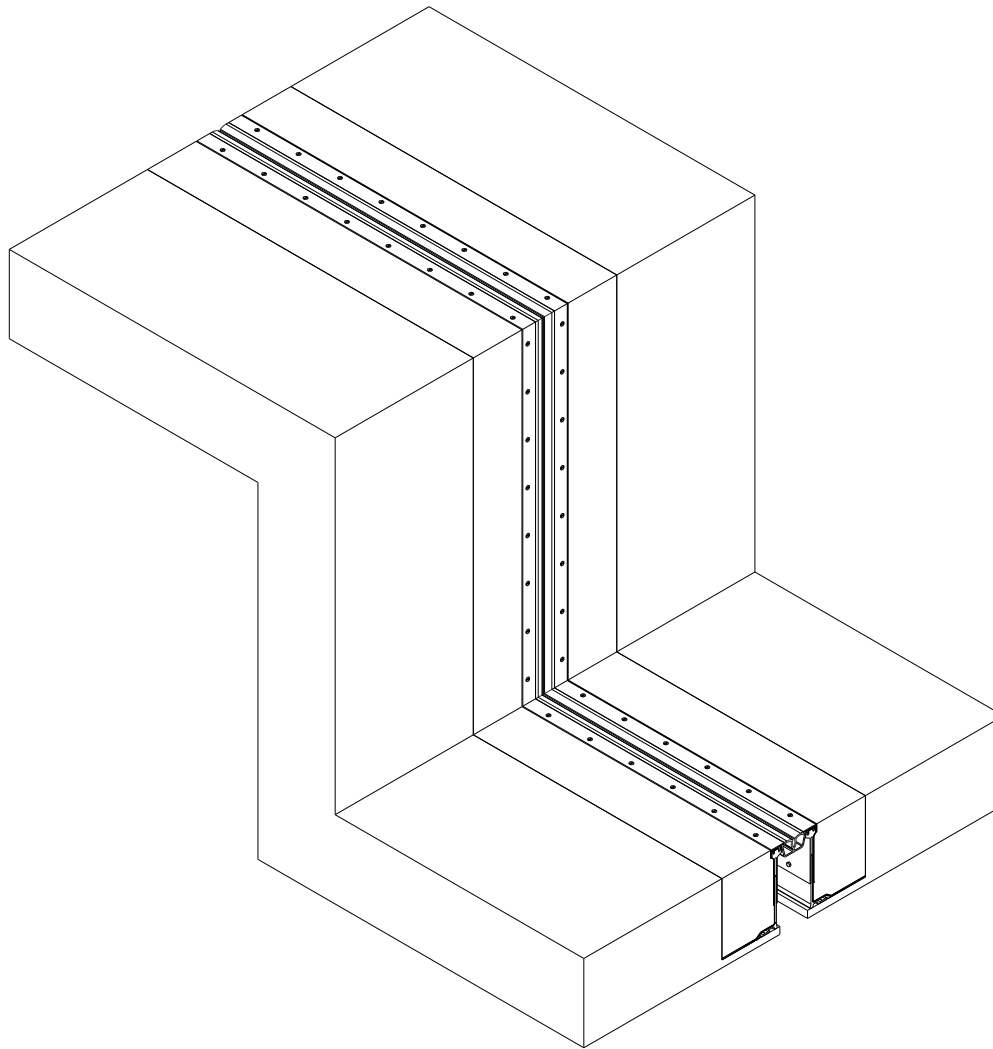


13311 Main Road • Akron • New York • 14001  
 Phone (716) 542-3991 • Fax (716) 542-3996 • E-mail sales@eriemetal.com

**PROJECT:**

**TITLE:** DD-400 Standard Details

Detailed by: AWG	Date: 10/9/00
Checked By: LJB	Date: 10/21/00
Scale: NTS	EMS Job #:
Sheet No.: 1 of 1	Drawing No.: CD-107



The information contained herein is the proprietary property of Erie Metal Specialties, Inc. No portion of it may be reproduced by any means or used in any form except for the purpose for which it was intended.

**PROJECT:**

**TITLE: DD-400 HP SYSTEM- CURB**

Detailed by: GMH

Date: 6-26-07

Checked by:

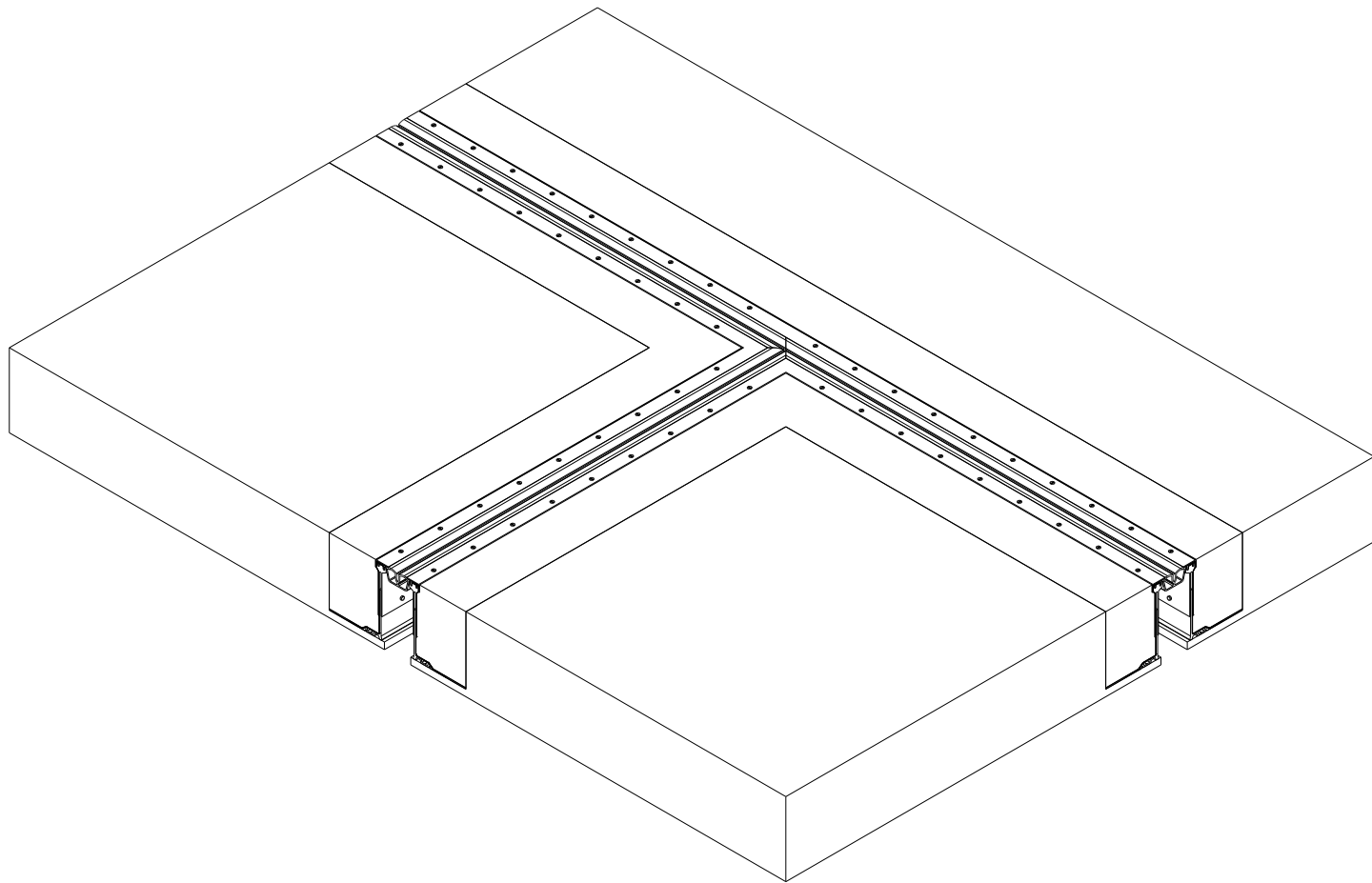
Date: 6-26-07

Scale: NTS

EMS Job #:

Sheet #:

Drawing #:



The information contained herein is the proprietary property of Erie Metal Specialties, Inc. No portion of it may be reproduced by any means or used in any form except for the purpose for which it was intended.

**PROJECT:**

**TITLE: DD-400 HP SYSTEM- T INTERSECTION**

Detailed by: GMH

Date: 6-26-07

Checked by:

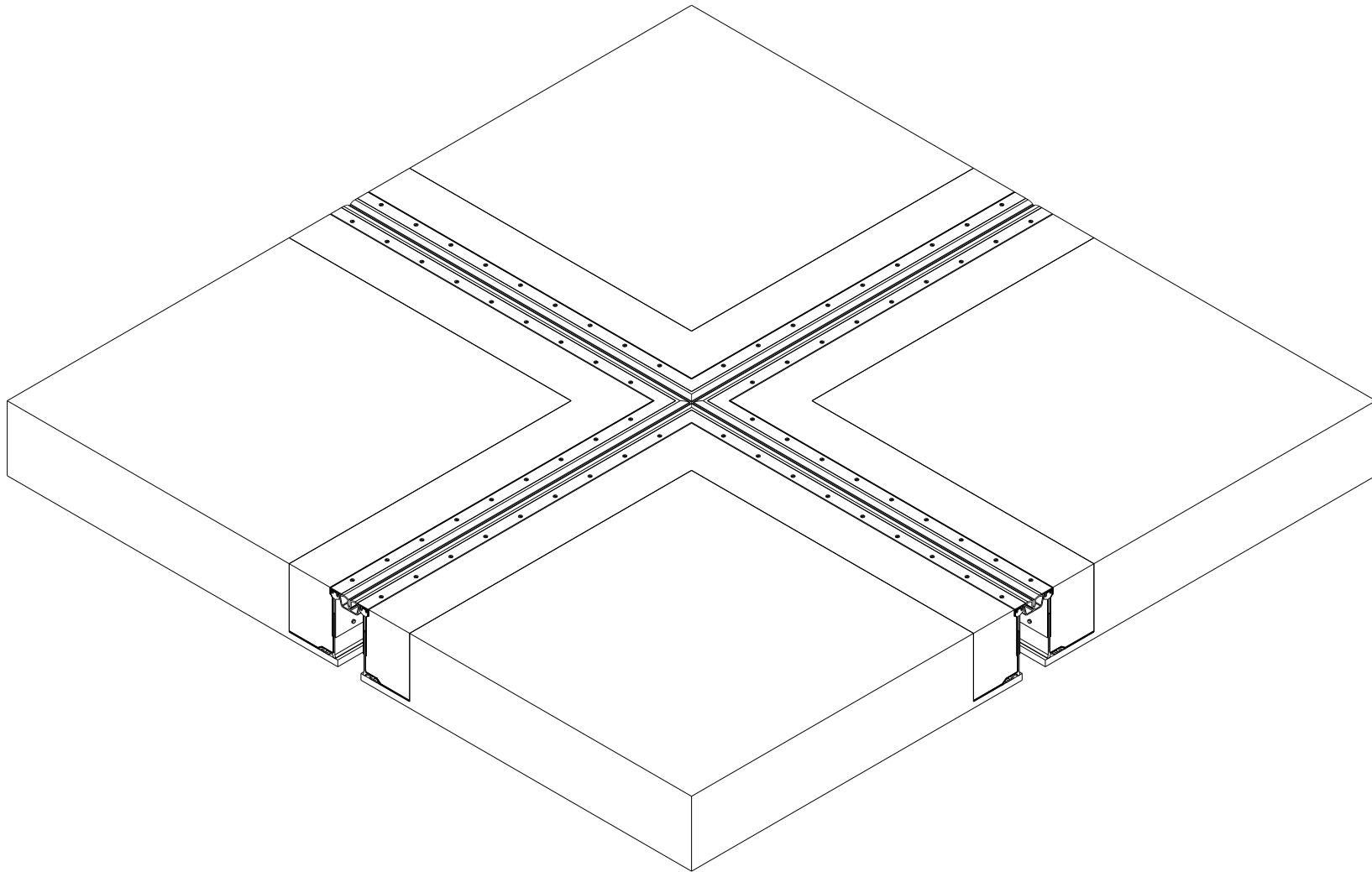
Date: 6-26-07

Scale: NTS

EMS Job #:

Sheet #:

Drawing #:



The information contained herein is the proprietary property of Erie Metal Specialties, Inc. No portion of it may be reproduced by any means or used in any form except for the purpose for which it was intended.

**PROJECT:**

**TITLE: DD-400 HP SYSTEM- CROSS INTERSECTION**

Detailed by: GMH

Date: 6-26-07

Checked by:

Date: 6-26-07

Scale: NTS

EMS Job #:

Sheet #:

Drawing #: