

FG-Series (Flexible Gutter)

Description

The Flexible Gutter (FG) system incorporates a 60-mil. neoprene sheet, which is securely anchored to the concrete structure under an expansion joint system. The flexible neoprene sheeting allows for easy installation before or after the installation of an expansion joint system. The system will adapt to pre-cast concrete deck surfaces or cast in place structures. Once installed, this system provides a watertight seal, while flexing in response to fluctuations in joint width.

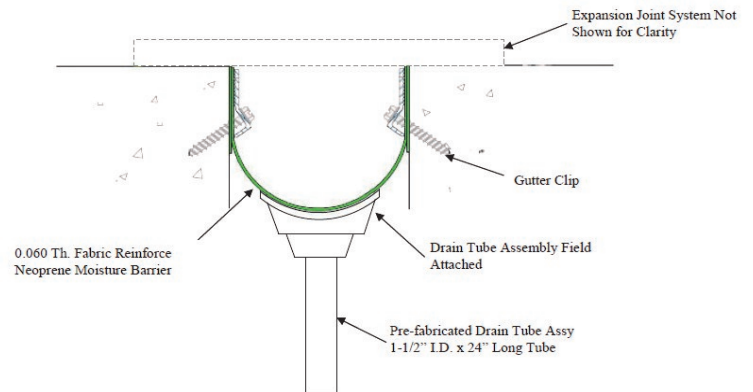
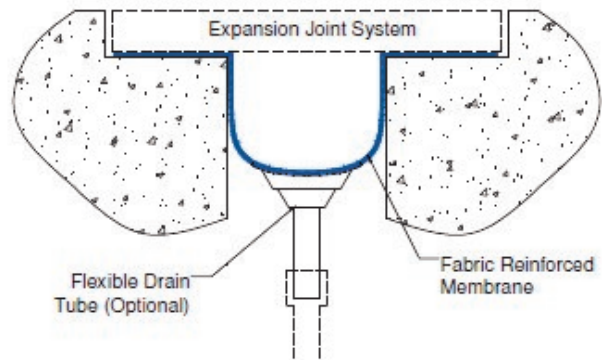
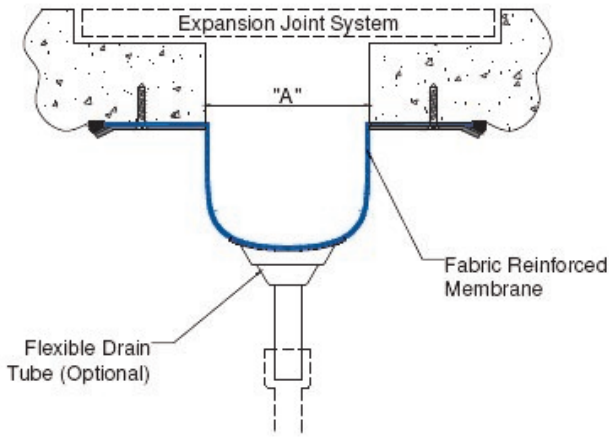
The membrane can be attached to the underside of the joint location using metal retainer bars, or it can be attached directly to the side walls of the expansion joint opening for larger expansion joints. The rolls of material are available in 50 LF lengths and may be spliced to accommodate longer runs.

LEED Credits - One (1) LEED credit depending on the location of the project.

Features and Benefits

Ideal for Rehabilitation Work – Quickly put into place under expansion joint locations to direct water away from vehicles and occupied space below. This allows the owner to effect repairs while the flexible gutter system keeps the area below dry.

Remains Flexible– Maintains its flexibility in temperatures ranging from -40°F to 220°F



PRODUCT	MIN. WIDTH IN (MM)	MAX. WIDTH IN (MM)	TOTAL MOVEMENT IN (MM)	MEMBRANE WIDTH IN (MM)
FG-12	1.00" (25.4)	5.00" (127.0)	4.00" (101.6)	12.00" (304.8)
FG-18	1.00" (25.4)	11.00" (279.4)	10.00" (254.0)	18.00" (457.2)
FG-24	1.00" (25.4)	17.00" (431.8)	16.00" (406.4)	24.00" (609.6)
FG-30	1.00" (25.4)	23.00" (584.2)	22.00" (558.8)	30.00" (762.0)
FG-36	1.00" (25.4)	28.00" (711.2)	27.00" (685.8)	36.00" (914.4)
FG-42	1.00" (25.4)	34.00" (863.6)	33.00" (838.2)	42.00" (1066.8)
FG-48	1.00" (25.4)	41.00" (1041.4)	40.00" (1016.0)	48.00" (1219.2)

