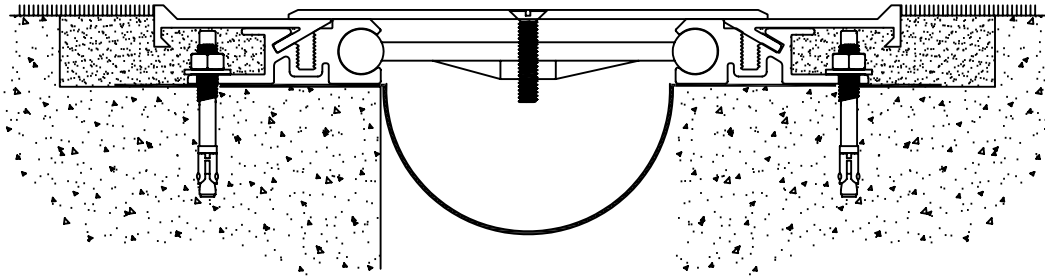




Erie Metal Specialties, Inc.  
13311 Main Road  
Akron, NY 14001

Phone: 716-542-3991  
Website: [www.eriemetal.com](http://www.eriemetal.com)  
E-Mail: [sales@eriemetal.com](mailto:sales@eriemetal.com)

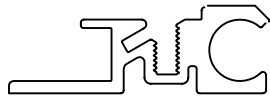


## Seismic Floor Series Model(s) "ESFG 400-2400" Horizontal Expansion Control Systems

The following installation procedure is very important and must be fully understood prior to beginning any work. To ensure proper installation and performance of expansion joint systems the following actions must be completed by the installing contractor. Failure to do so will affect product warranty.

- 1) Carefully read and understand installation procedure. Contact Technical Service Department for product assistance.
- 2) Inspect all shipments and materials for missing or damaged components and hardware. Contact Customer Service with order number and invoice for prompt assistance.
- 3) Inspect substrate or adjacent construction for acceptance before beginning work. Report unacceptable construction to the project manager for scheduled repair work.

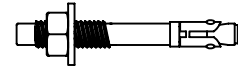
# Standard Components



Aluminum base assembly  
p/n 15804



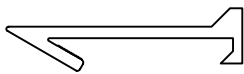
1/4" X 1 1/4" Lg Screw  
p/n: 5621



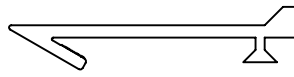
1/4" x 2 1/4" Concrete anchor  
with nut and washer  
p/n 6581

Components shown below vary in size depending on model of system

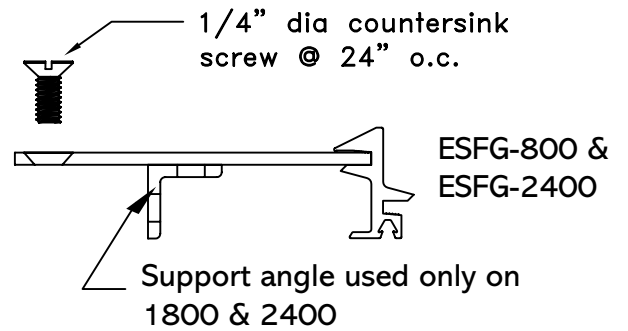
## Aluminum Extensions



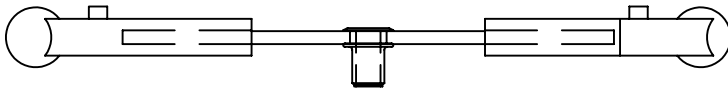
ESFG-400



ESFG-600



## Self-Centering Bar



## 3/16" thick Center Slide Plate



## Optional Moisture Barrier

Shipped as a flat  
sheet good

Shape @ installation

Clear vinyl

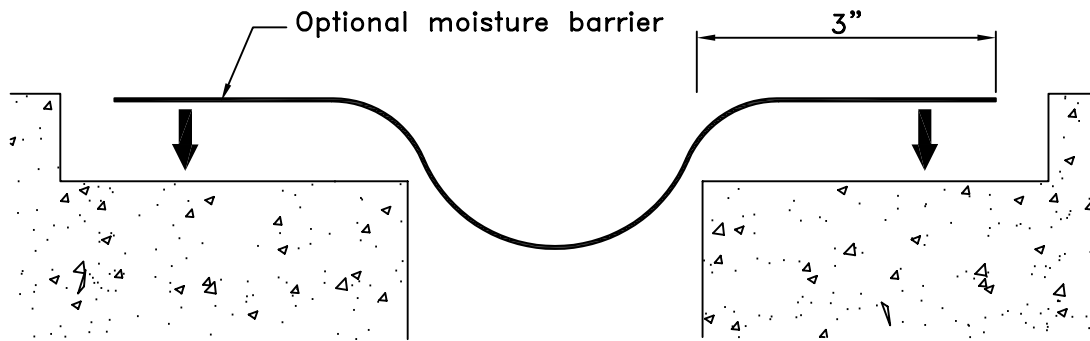
Shown Below are Extra Components Needed for Floor-to-wall Installation.



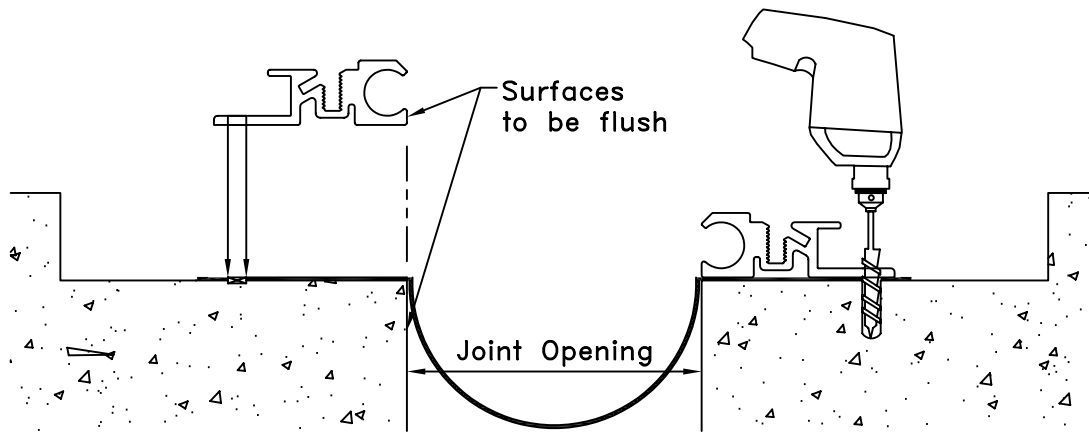
3/16" Aluminum cover plate



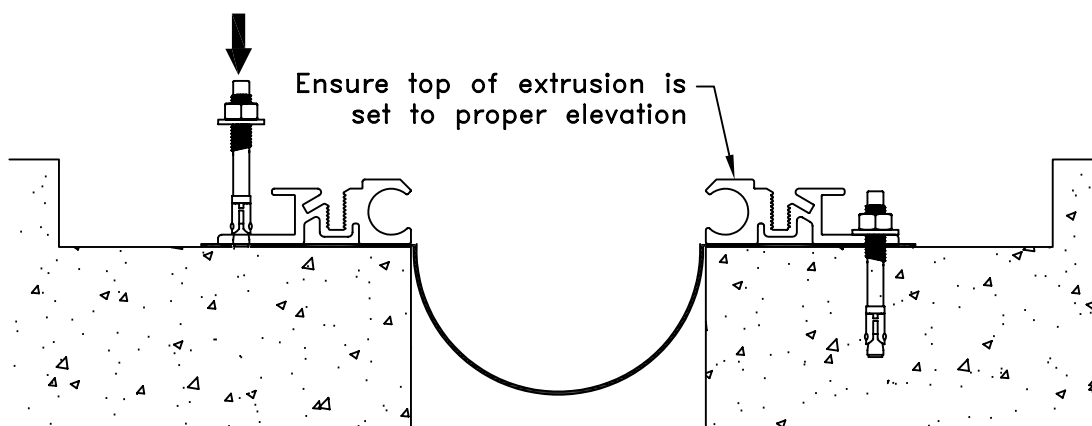
1/4" x 2" CSK flat head  
concrete anchor



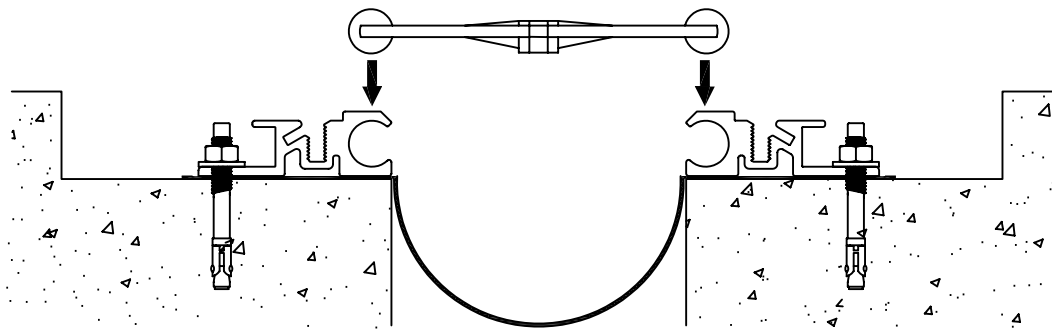
- 1** (Optional)  
Position moisture barrier in to blockout. Maintain proper overlap and temporarily affix with duct tape (if required).



- 2** Position base member on block out so cavity of base member is flush with edge of opening. Using base member as a template and with its position fixed, drill hole for 1/4" x 2-1/4" concrete anchor to proper depth. Clean out holes.

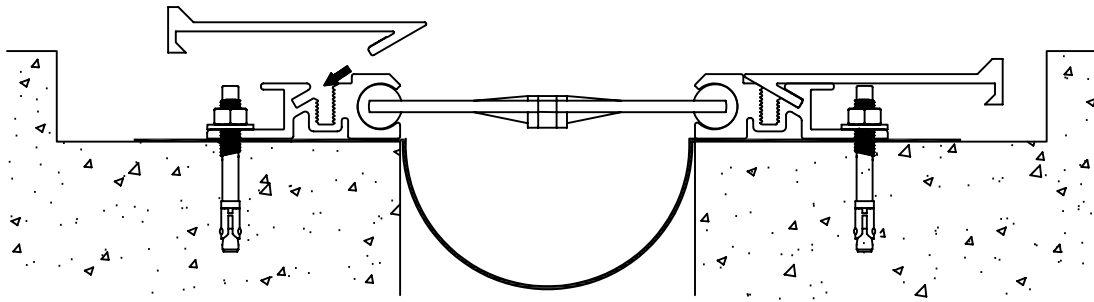


- 3** Follow hilti's recommendations for proper anchor installation. Remove all debris from moisture barrier by utilizing shop vac. Caution: do not install all base members prior to reviewing step 6.



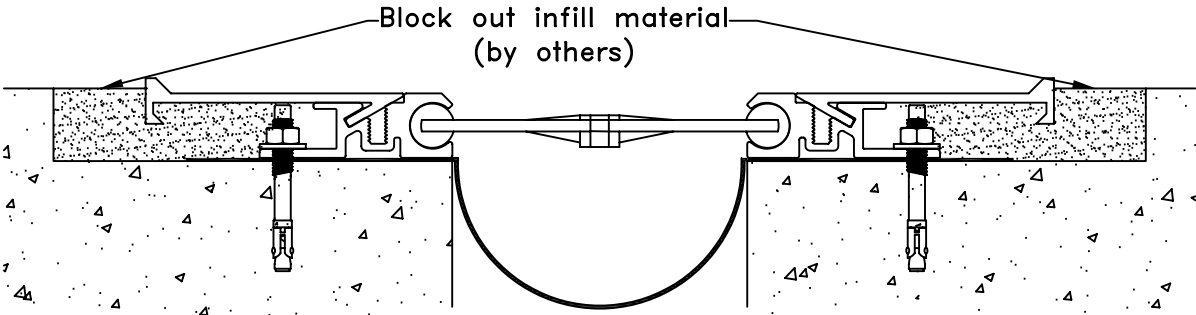
4

As work progresses with placement of base members, install self-centering bars by sliding the spherical ends of the bars into and through the circular cavities of the base members. Set at an approximate spacing of 18" O.C. Ensure that the "top" indicator is facing up and that all bars are in same orientation.



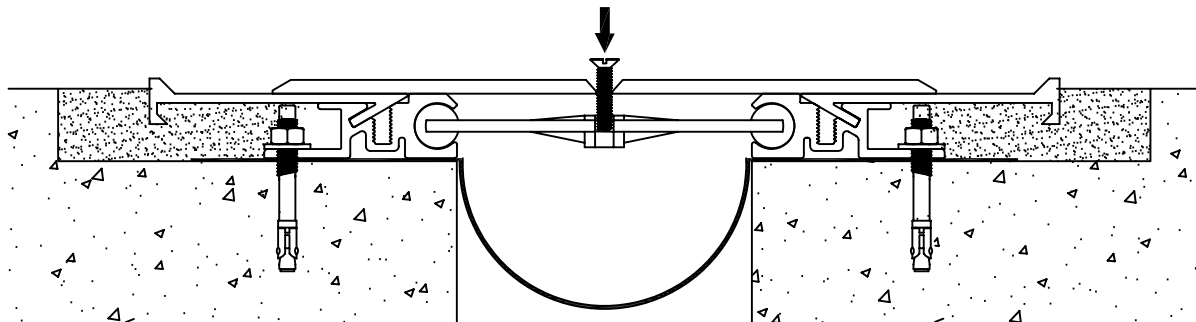
5

Attach aluminum extension to base member. Aluminum extension type depends on system size. Check page 1 for proper extension size.



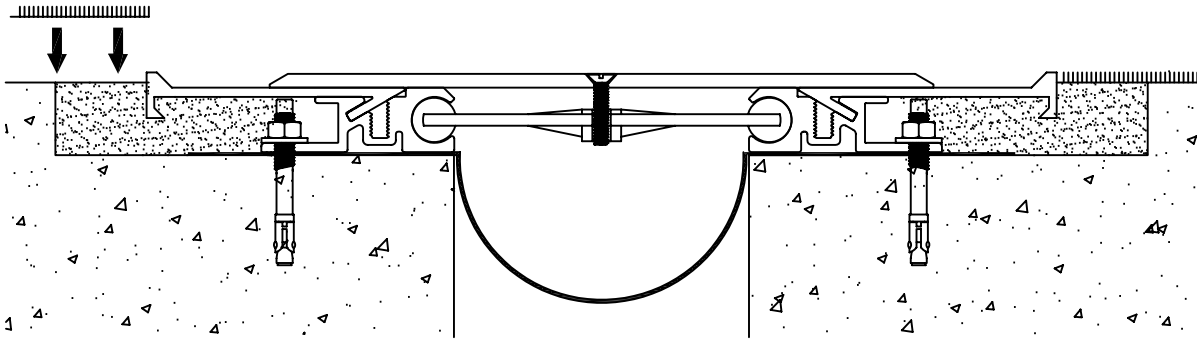
6

Fill block out with high quality non-shrink cementitious filler material. Protect surfaces during placement of filler material.



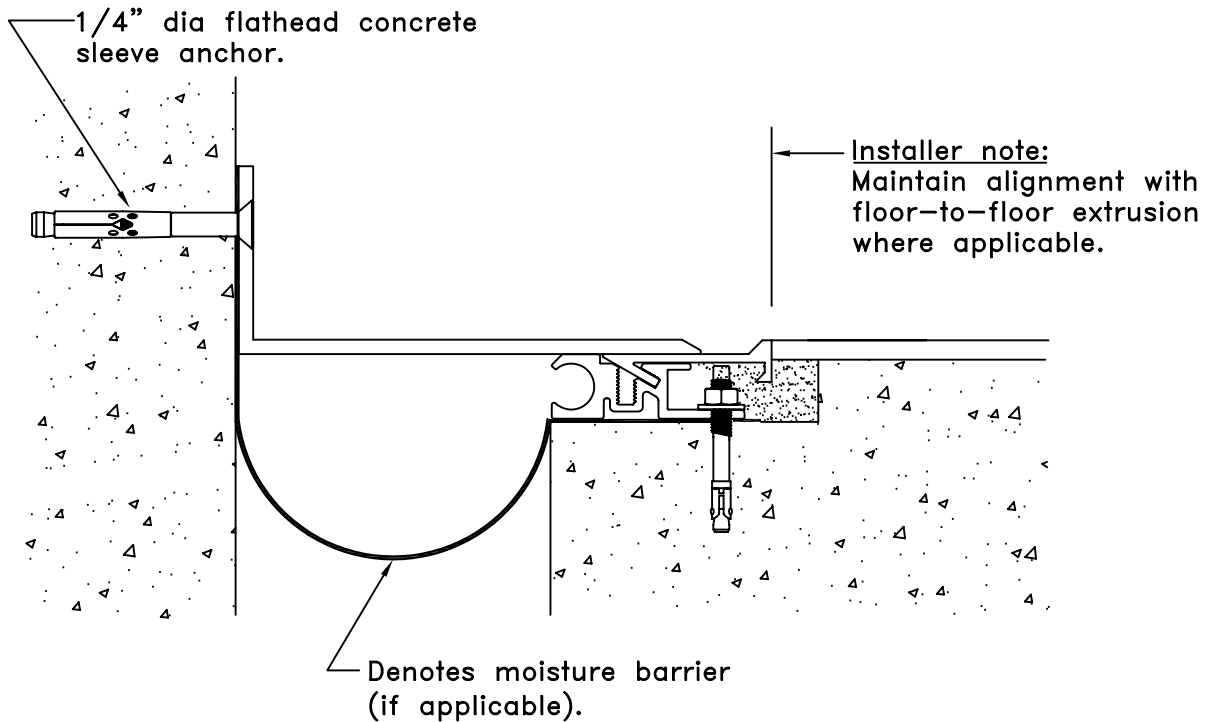
7

Position the center slide plate over expansion opening, align pre-drilled holes in slide plate with threaded insert in self-centering bars. Fasten with 1/4" x 1-1/4" CSK flat screw. Tighten to create measurable tension in the bar.



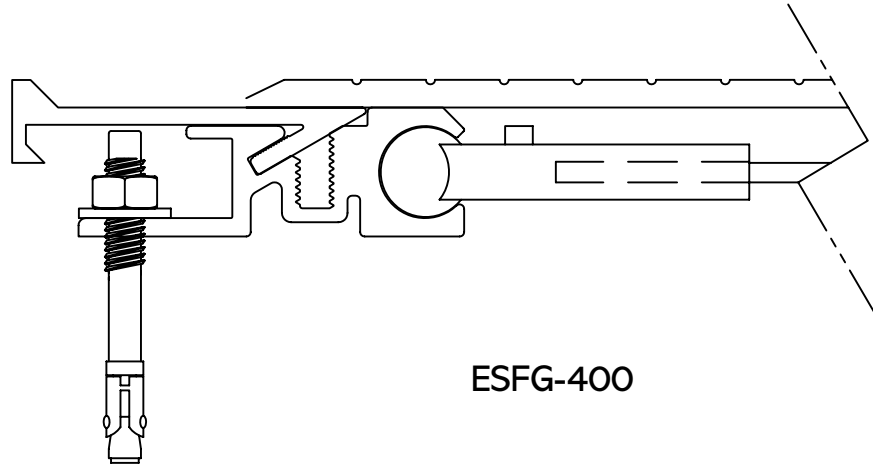
**8** Install flooring material. Ensure flush installation with top of expansion joint system. Caution – contact flooring manufacturer to discuss application and procedure for proper installation.

### Floor to Wall

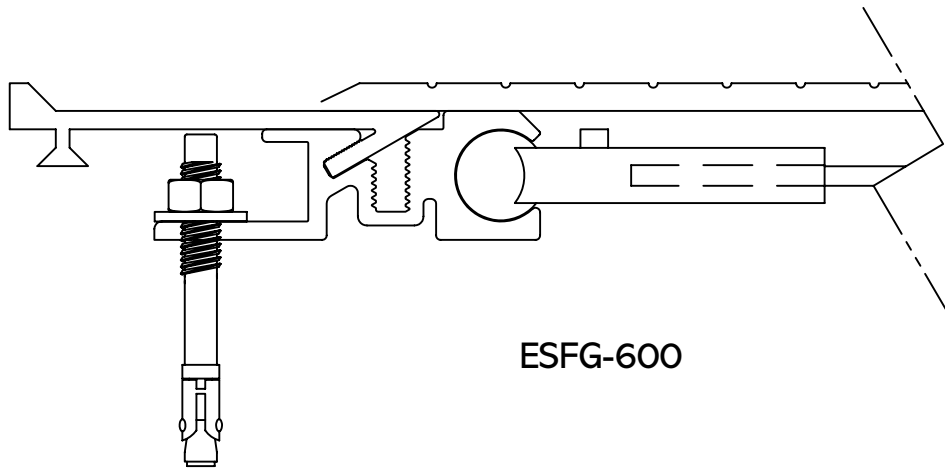


**9** Follow the same procedure for floor-to-wall, except use cover plate for floor-to-wall condition and 1/4" CSK concrete flathead expansion anchor.

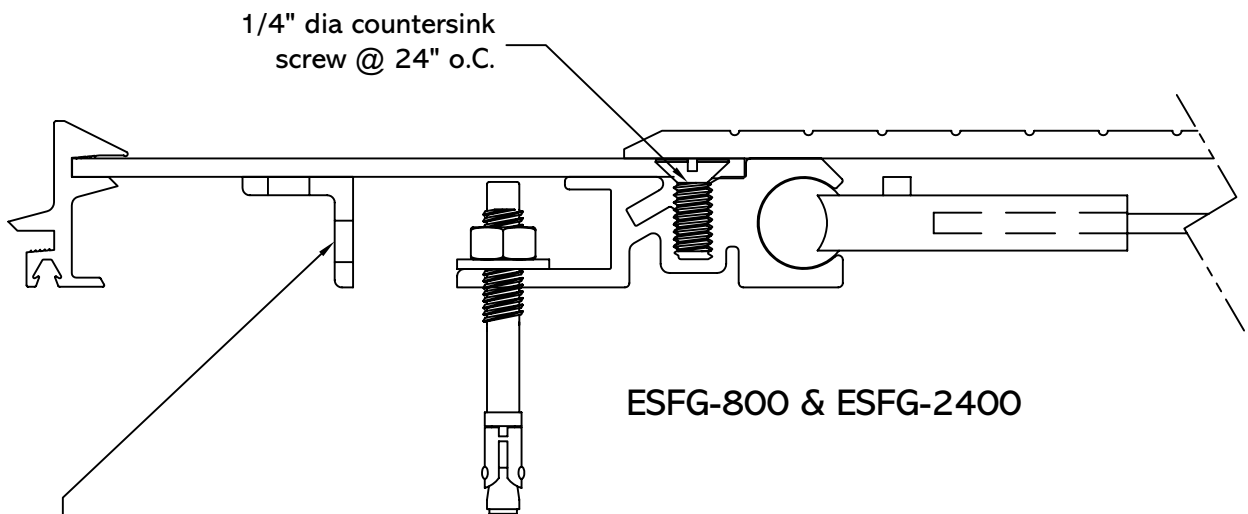
# Aluminum Extension Design



ESFG-400



ESFG-600



1/4" dia countersink  
screw @ 24" o.C.

ESFG-800 & ESFG-2400

Support angle use only on  
ESFG-1800 & ESFG-2400