

Typical Section
Floor To Floor

NOTE: EXPOSED ALUMINUM SURFACES
MILL FINISH (STANDARD)

DIMENSION CHART

MODEL	Joint Opening (J.O.)						Total Seismic Movement		S.W		B (min)	
	at install		allow min		allow max				at install			
	inches	mm	inches	mm	inches	mm	inches	mm	inches	mm		
EFLP-400	4	100	1 1/4	32	6	152	4 3/4	121	12 7/8	327	6	152
EFLP-600	6	152	1 1/4	32	9	229	7 3/4	197	14 7/8	378	6	152
EFLP-800	8	203	1 1/4	32	12	305	10 3/4	273	18 7/8	479	7	178
EFLP-1000	10	254	1 1/4	32	15	381	13 3/4	349	20 7/8	530	7	178
EFLP-1200	12	305	1 1/4	32	18	457	16 3/4	425	23 7/8	606	7	178
EFLP-1600	16	406	1 1/4	32	24	610	22 3/4	578	29 7/8	759	8	203
EFLP-1800	18	457	1 1/4	32	27	686	25 3/4	654	34 7/8	886	10	254

Note: J.O. minimum and maximum values are after seismic movement occurs

NO.			
-----	--	--	--

The information contained herein is the proprietary property of ERIE METAL SPECIALTIES, INC. No portion of it may be reproduced by any means or used in any form except for the purpose for which it was intended. All rights of design and invention are hereby reserved.

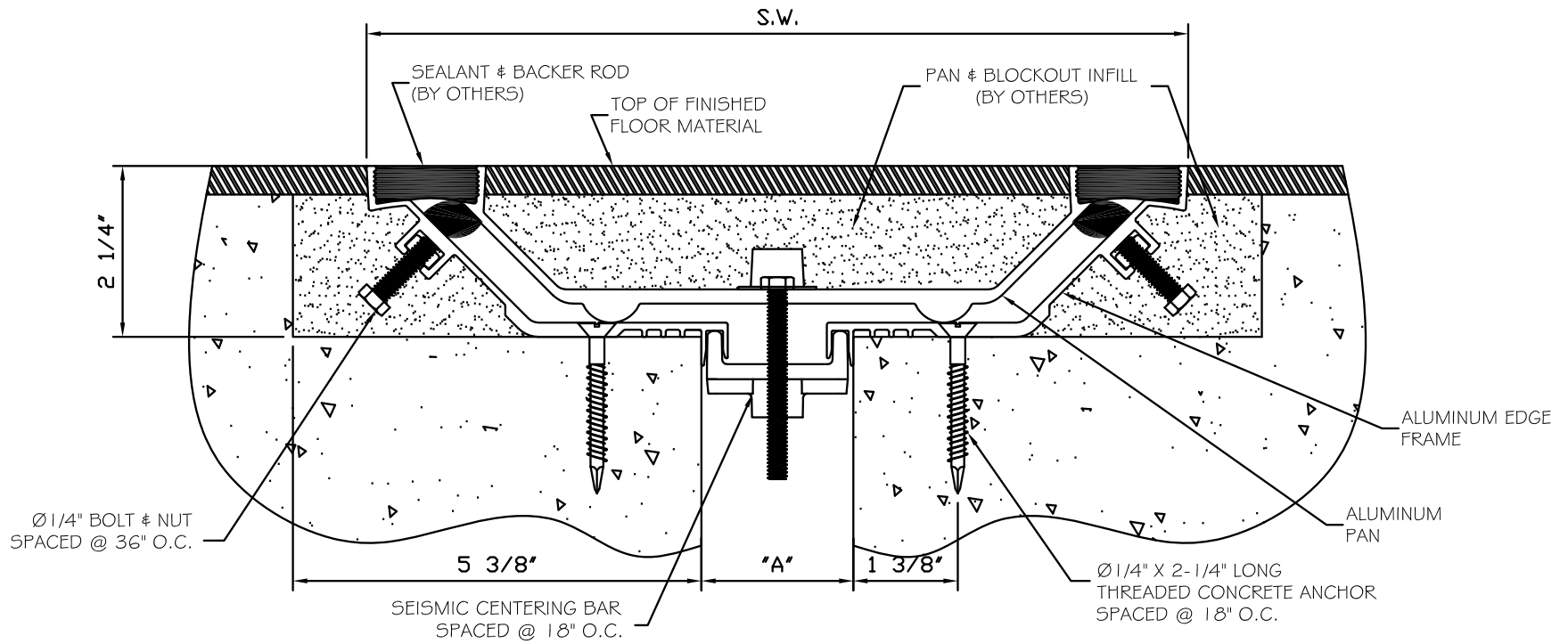


13311 Main Road • Akron • New York • 14001
Phone: (716) 542-3991 • Fax: (716) 542-3996 • E-mail: sales@eriemetal.com

PROJECT:

TITLE:

Detailed by: BAF	Date: 10/21/17
Checked By: SLP	Date: 10/21/17
Scale: NTS	EMS Job #:
Sheet No.: 1 of 1	Drawing No.:



DIMENSION CHART					
MODEL	"A" @ MIN	"A" @ MID	"A" @ MAX	TOTAL SEISMIC MOVEMENT	SYSTEM WIDTH
EFLP-200	1"(25)	2"(51)	4"(102)	3"(76)	10-13/16"(275)

() - DENOTES MILLIMETERS

NOTES:

- TOTAL THERMAL MOVEMENT CAPABILITY OF 2".
- COMPONENT POLYURETHANE SEALANT IS 1-1/4" (TYP ALL MODEL SIZES)

NO.	Description	Date	By
<p>The information contained herein is the proprietary property of ERIE METAL SPECIALTIES, INC. No portion of it may be reproduced by any means or used in any form except for the purpose for which it was intended. All rights of design and invention are hereby reserved.</p>			

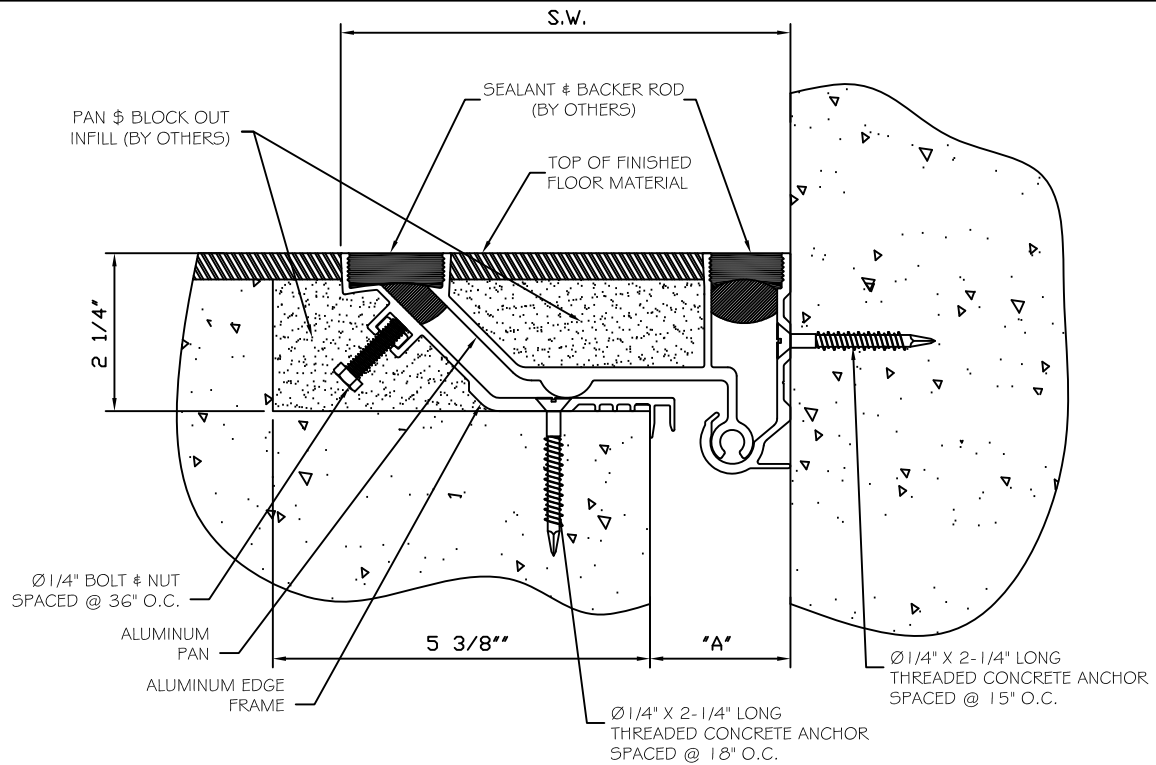


13311 Main Road • Akron • New York • 14001
 Phone: (716) 542-3991 • Fax: (716) 542-3996 • E-mail: sales@eriemetal.com

PROJECT:

TITLE:

Detailed by: BAF	Date: 10/21/17
Checked By: SLP	Date: 10/21/17
Scale: NTS	EMS Job #:
Sheet No.: 1 of 1	Drawing No.:



DIMENSION CHART					
MODEL	"A" @ MIN	"A" @ MID	"A" @ MAX	TOTAL SEISMIC MOVEMENT	SYSTEM WIDTH
EFLP-200W	5/8"(41)	2"(51)	3"(76)	1-3/8"(35)	6-7/16"(164)

() - DENOTES MILLIMETERS

NOTES:

1. TOTAL THERMAL MOVEMENT CAPABILITY OF 2".
2. COMPONENT POLYURETHANE SEALANT IS 5/8" (TYP ALL MODEL SIZES)

NO.			

The information contained herein is the proprietary property of ERIE METAL SPECIALTIES, INC. No portion of it may be reproduced by any means or used in any form except for the purpose for which it was intended. All rights of design and invention are hereby reserved.

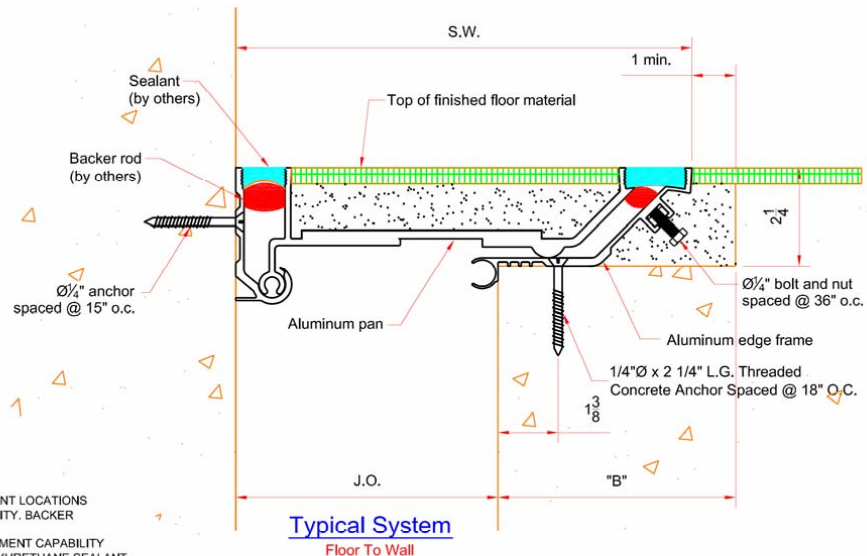


13311 Main Road • Akron • New York • 14001
 Phone: (716) 542-3991 • Fax: (716) 542-3996 • E-mail: sales@eriemetal.com

PROJECT:

TITLE:

Detailed by: BAF	Date: 10/21/17
Checked By: SLP	Date: 10/21/17
Scale: NTS	EMS Job #:
Sheet No.: 1 of 1	Drawing No.:



NOTE:
 1. BACKER ROD AT SEALANT LOCATIONS NOT SHOWN FOR CLARITY. BACKER ROD BY OTHERS.
 2. TOTAL THERMAL MOVEMENT CAPABILITY OF 2 COMPONENT POLYURETHANE SEALANT IS 5/8" (TYPICAL ALL MODEL SIZES)
 3. ENHANCED MOVEMENT CAPABILITIES AVAILABLE.

Typical System
 Floor To Wall

Note: Exposed Aluminum Surfaces Mill Finish (standard)

DIMENSION CHART

MODEL	Joint Opening (J.O.)						Total Seismic Movement		S.W.		B (min)	
	at install		allow min		allow max				at install			
	inches	mm	inches	mm	inches	mm	inches	mm	inches	mm		
EFLP-400W	4	100	2	51	5	127	3	76	8 7/16	214	6	152
EFLP-600W	6	152	2	51	7 1/2	191	5 1/2	140	10 7/16	265	6	152
EFLP-800W	8	203	2	51	10	254	8	203	13 7/16	341	7	178
EFLP-1000W	10	254	2	51	12 1/2	318	10 1/2	267	15 7/16	392	7	178
EFLP-1200W	12	305	2	51	15	381	13	330	17 15/16	456	7	178
EFLP-1600W	16	406	2	51	20	508	18	457	22 15/16	583	8	203
EFLP-1800W	18	457	2	51	22 1/2	572	20 1/2	521	26 7/16	672	10	254

Note: J.O. minimum and maximum values are after seismic movement occurs

NO.			
-----	--	--	--



13311 Main Road • Akron • New York • 14001
 Phone: (716) 542-3991 • Fax: (716) 542-3996 • E-mail: sales@eriemetal.com

PROJECT:

TITLE:

Detailed by: BAF	Date: 10/21/17
Checked By: SLP	Date: 10/21/17
Scale: NTS	EMS Job #:
Sheet No.: 1 of 1	Drawing No.:

The information contained herein is the proprietary property of ERIE METAL SPECIALTIES, INC. No portion of it may be reproduced by any means or used in any form except for the purpose for which it was intended. All rights of design and invention are hereby reserved.