

NO.	Description	Date	By
<p>The information contained herein is the proprietary property of ERIE METAL SPECIALTIES, INC. No portion of it may be reproduced by any means or used in any form except for the purpose for which it was intended. All rights of design and invention are hereby reserved.</p>			



13311 Main Road • Akron • New York • 14001
 Phone: (716) 542-3991 • Fax: (716) 542-3996 • E-mail: sales@eriemetal.com

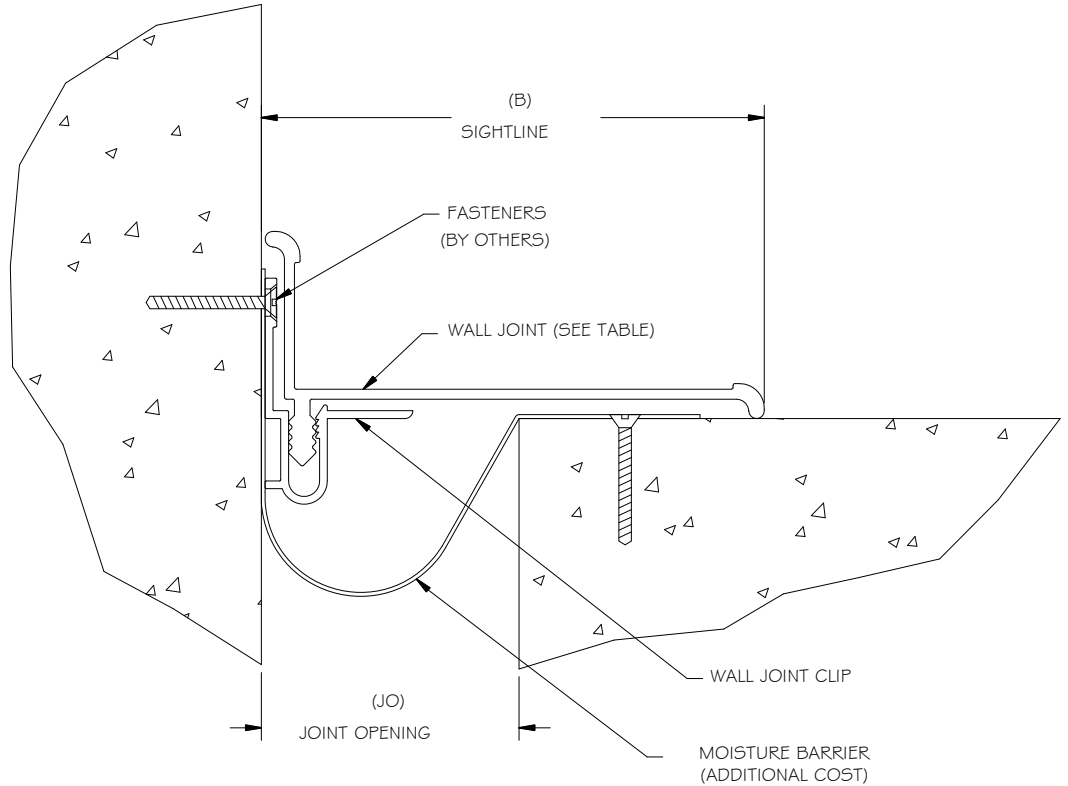
PROJECT:

TITLE:

Detailed by: BAF	Date: 10/21/17
Checked By: SLP	Date: 10/21/17
Scale: NTS	EMS Job #:
Sheet No.: 1 of 1	Drawing No.: ENWJ-Series



PLAN VIEW
(NOT TO SCALE)



SPECIFICATIONS:

- 6063-T6 ALUMINUM
- CLEAR ANODIZED FINISH
- WALL JOINT CLIPS MANUFACTURED WITH PREDRILLED HOLES
- STANDARD LENGTH = 10' SECTION
- MOISTURE BARRIER OPTIONAL

PART NUMBER	JOINT OPENING (JO)									
	AT INSTALL		ALLOW MIN		ALLOW MAX		SIGHTLINE (B)		TOTAL MOVEMENT	
	IN	MM	IN	MM	IN	MM	IN	MM	IN	MM
ENWJ-100W	1.0	25	.50	13	1.75	45	2.50	64	1.0	25
ENWJ-200W	2.0	51	.50	13	3.25	83	4.00	102	2.0	51
ENWJ-300W	3.0	76	.50	13	4.75	121	5.50	140	3.0	76

NO.	Description	Date	By
<p>The information contained herein is the proprietary property of ERIE METAL SPECIALTIES, INC. No portion of it may be reproduced by any means or used in any form except for the purpose for which it was intended. All rights of design and invention are hereby reserved.</p>			



13311 Main Road • Akron • New York • 14001
 Phone: (716) 542-3991 • Fax: (716) 542-3996 • E-mail: sales@eriemetal.com

PROJECT:

TITLE:

Detailed by: BAF	Date: 10/21/17
Checked By: SLP	Date: 10/21/17
Scale: NTS	EMS Job #:
Sheet No.: 1 of 1	Drawing No.: