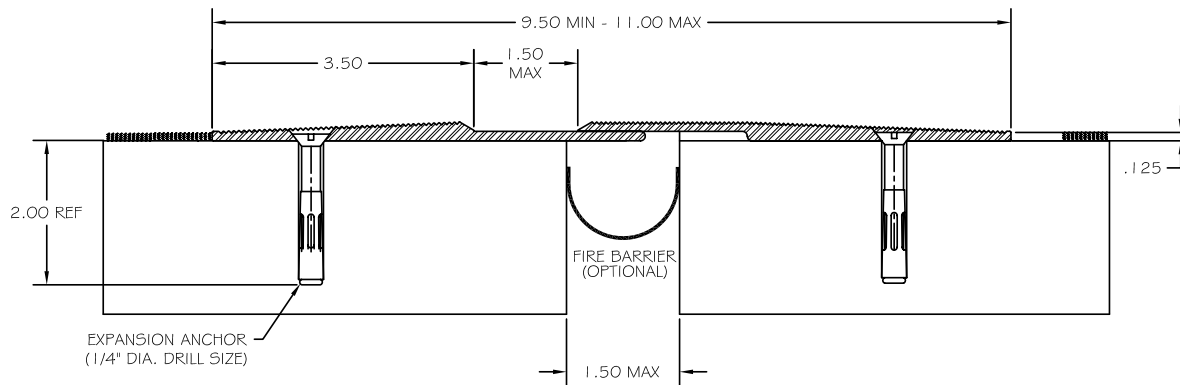


PLAN VIEW
(NOT TO SCALE)



SURFACE CROSS SECTION
(NOT TO SCALE)

ERA125 Series Aluminum Expansion Joint

SPECIFICATIONS

- 6063-T6 ALUMINUM
- MILL FINISH
- SUPPLIED W/ EXPANSION ANCHORS
- STANDARD LENGTH = 10'/SECTION

MAX LOAD @ 1.5" JOINT OPENING	
CONCENTRATED	200#
UNIFORM	70 PSI

NO.	Description	Date	By

The information contained herein is the proprietary property of ERIE METAL SPECIALTIES, INC. No portion of it may be reproduced by any means or used in any form except for the purpose for which it was intended. All rights of design and invention are hereby reserved.

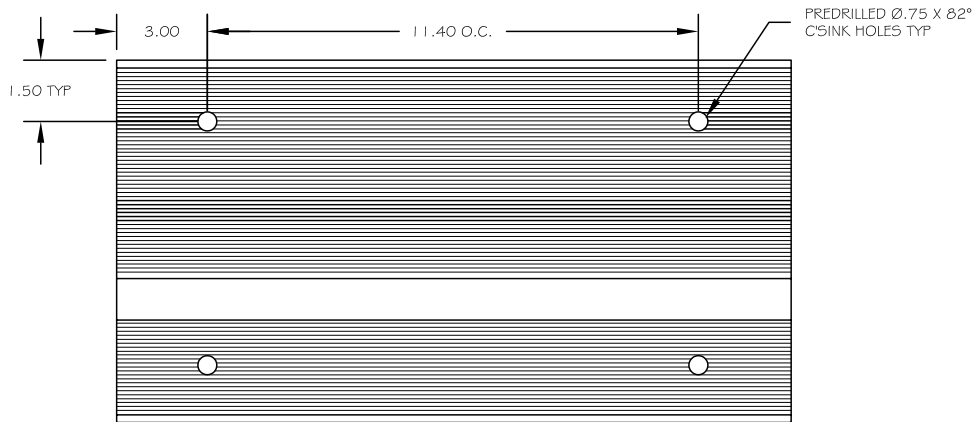


13311 Main Road • Akron • New York • 14001
Phone: (716) 542-3991 • Fax: (716) 542-3996 • E-mail: sales@eriemetal.com

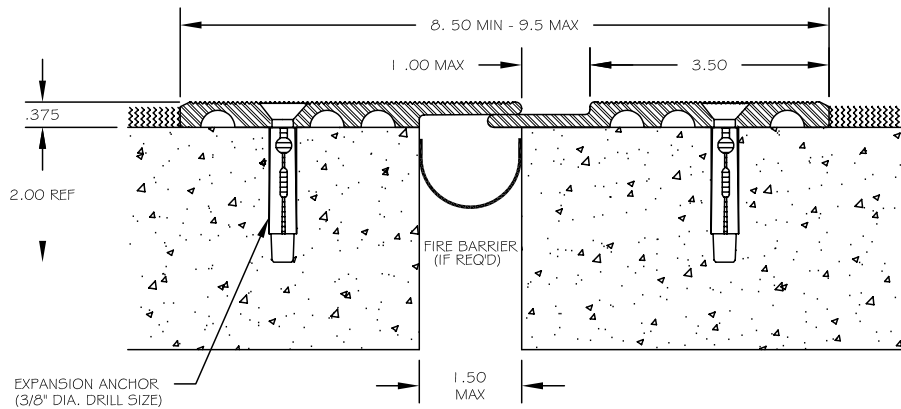
PROJECT:

TITLE:

Detailed by: BAF	Date: 10/21/17
Checked By: SLP	Date: 10/21/17
Scale: NTS	EMS Job #:
Sheet No.: 1 of 1	Drawing No.:



PLAN VIEW
(NOT TO SCALE)



SURFACE CROSS SECTION
(NOT TO SCALE)

ERA375 Series Aluminum Expansion Joint

SPECIFICATIONS

- 6063-T6 ALUMINUM
- MILL FINISH
- SUPPLIED W/ EXPANSION ANCHORS
- STANDARD LENGTH = 10'/SECTION

MAX LOAD @ 1.5" JOINT OPENING	
CONCENTRATED	400#
UNIFORM	150 PSI

NO.			

The information contained herein is the proprietary property of ERIE METAL SPECIALTIES, INC. No portion of it may be reproduced by any means or used in any form except for the purpose for which it was intended. All rights of design and invention are hereby reserved.



13311 Main Road • Akron • New York • 14001
Phone: (716) 542-3991 • Fax: (716) 542-3996 • E-mail: sales@eriemetal.com

PROJECT:

TITLE:

Detailed by: BAF	Date: 10/21/17
Checked By: SLP	Date: 10/21/17
Scale: NTS	EMS Job #:
Sheet No.: 1 of 1	Drawing No.: