

ENBW Series Seismic Glide System

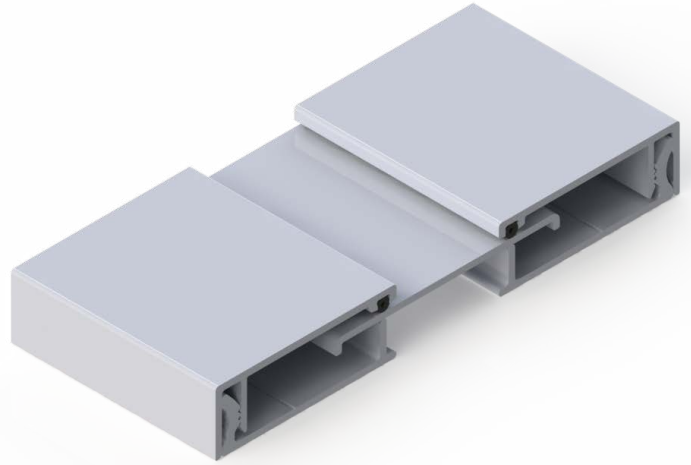
The Seismic Glide System wall and ceiling expansion control system is capable of multi directional changes, as well as integrating with a variety of wall and ceiling surface treatments. Seismic Glide is available in clear anodized aluminum to create a sleek look at an economical price.

FEATURES

COORDINATING CORNERS Available with corner option for a complete solution.

GASKETS The assembly includes a gasket strip on either side to limit air flow in the joint.

EASY ASSEMBLY After base plates are attached to the wall, the cover assembly snaps together for a tight fit.



DETAILS

MATERIAL 6063-T6 Aluminum

FINISH Clear Anodized

MOVEMENT

- Thermal: Horizontal and Vertical
- Seismic: Lateral Shear

MOUNTING Surface

JOINT SIZE 1 inch to 2 inches

LENGTH 10 Linear Feet

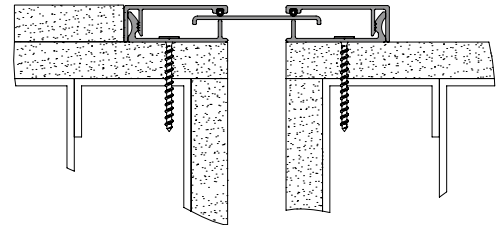
APPLICATION Interior

INSTALLATION Wall or Ceiling

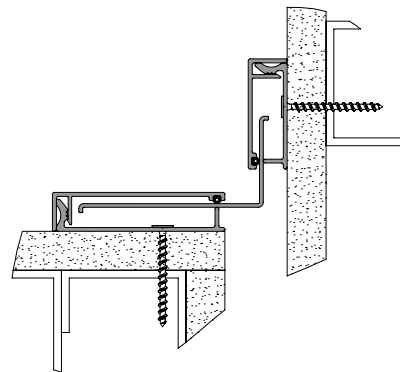
OPTIONS Moisture Barrier, Fire Barrier

MODELS

MODEL	INSTALLATION	JOINT SIZE AT MEAN T°F	SYSTEM WIDTH	TOTAL MOVEMENT
ENBW-100	Wall-to-Wall	1" (25mm)	3" (76mm)	1" (25mm)
ENBW-100W	Corner	1" (25mm)	3" (76mm)	1" (25mm)
ENBW-200	Wall-to-Wall	2" (51mm)	5" (127mm)	2" (51mm)
ENBW-200W	Corner	2" (51mm)	5" (127mm)	2" (51mm)



Wall-to-Wall



Wall/Ceiling Corner

