

**ESFX-200 DETAIL**  
FLOOR TO FLOOR CONDITION

() - Denotes Millimeters

| DIMENSION CHART |           |           |           |              |                |
|-----------------|-----------|-----------|-----------|--------------|----------------|
| MODEL           | "A" @ Min | "A" @ Mid | "A" @ Max | "B"          | TOTAL MOVEMENT |
| ESFX-200        | 1" (25)   | 2" (51)   | 3" (76)   | 6 1/4" (159) | 2" (51)        |

Note: Minimum and Maximum Values are after Movement Occurs. Mid Point is the Recommended Size of Opening at Installation.

|     |  |  |  |
|-----|--|--|--|
|     |  |  |  |
|     |  |  |  |
|     |  |  |  |
| NO. |  |  |  |

The information contained herein is the proprietary property of ERIE METAL SPECIALTIES, INC. No portion of it may be reproduced by any means or used in any form except for the purpose for which it was intended. All rights of design and invention are hereby reserved.

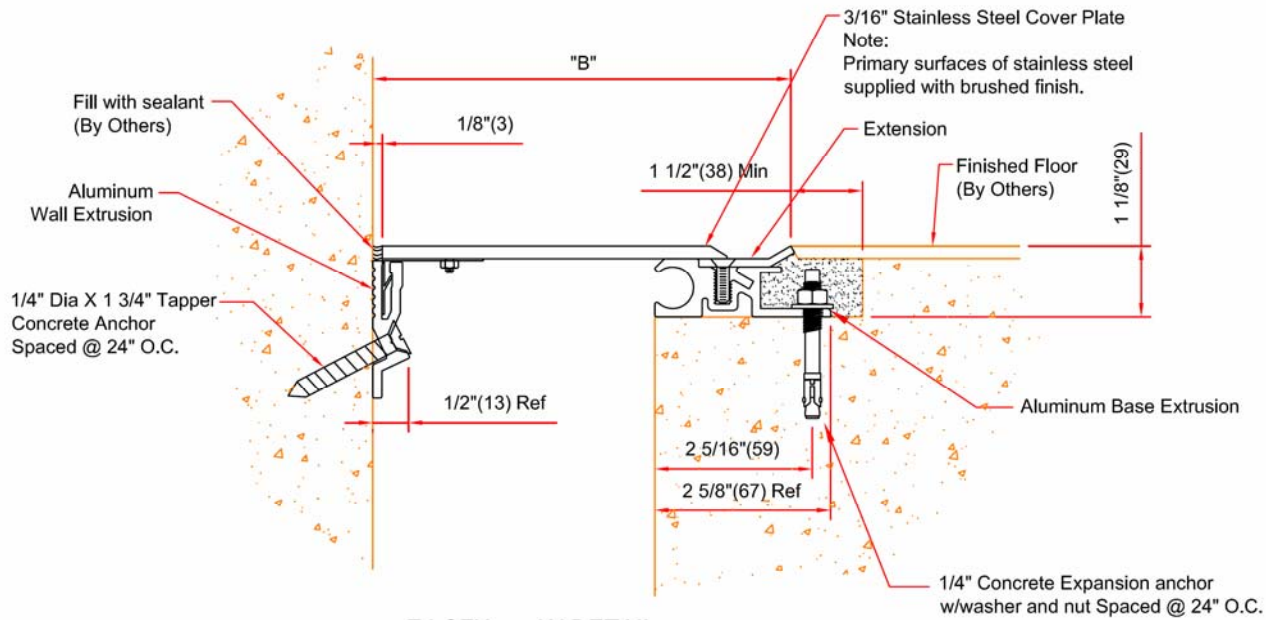


13311 Main Road • Akron • New York • 14001  
Phone: (716) 542-3991 • Fax: (716) 542-3996 • E-mail: sales@eriemetal.com

**PROJECT:**

**TITLE:**

|                      |                   |
|----------------------|-------------------|
| Detailed by:<br>BAF  | Date:<br>10/21/17 |
| Checked By:<br>SLP   | Date:<br>10/21/17 |
| Scale:<br>NTS        | EMS Job #:        |
| Sheet No.:<br>1 of 1 | Drawing No.:      |



**ESFX-200W DETAIL**  
FLOOR TO WALL CONDITION

() - Denotes Millimeters

| DIMENSION CHART |           |           |             |             |                |
|-----------------|-----------|-----------|-------------|-------------|----------------|
| MODEL           | "A" @ Min | "A" @ Mid | "A" @ Max   | "B"         | TOTAL MOVEMENT |
| ESFX-200W       | 1" (25)   | 2" (51)   | 2 5/8" (67) | 3 7/8" (98) | 1 5/8" (41)    |

Note: Minimum and Maximum Values are after Movement Occurs. Mid Point is the Recommended Size of Opening at Installation.

| NO.                                                                                                                                                                                                                                                                               | Description | Date | By |
|-----------------------------------------------------------------------------------------------------------------------------------------------------------------------------------------------------------------------------------------------------------------------------------|-------------|------|----|
| <p>The information contained herein is the proprietary property of ERIE METAL SPECIALTIES, INC. No portion of it may be reproduced by any means or used in any form except for the purpose for which it was intended. All rights of design and invention are hereby reserved.</p> |             |      |    |

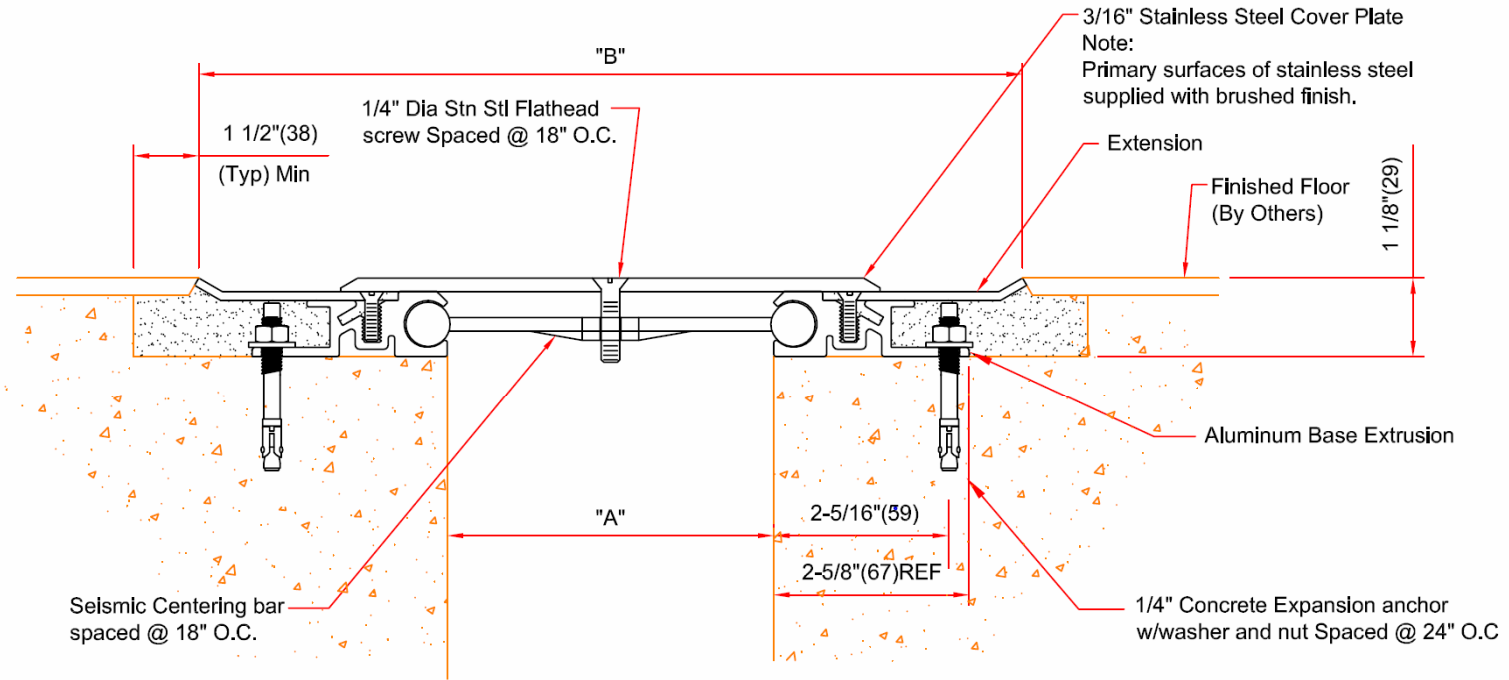


13311 Main Road • Akron • New York • 14001  
Phone: (716) 542-3991 • Fax: (716) 542-3996 • E-mail: sales@eriemetal.com

**PROJECT:**

**TITLE:**

|                      |                   |
|----------------------|-------------------|
| Detailed by:<br>BAF  | Date:<br>10/21/17 |
| Checked By:<br>SLP   | Date:<br>10/21/17 |
| Scale:<br>NTS        | EMS Job #:        |
| Sheet No.:<br>1 of 1 | Drawing No.:      |



**ESFX-400 THRU ESFX-2400 DETAIL**  
**FLOOR TO FLOOR CONDITION**

( ) - Denotes Millimeters

Note: Minimum and Maximum Values are after Movement Occurs. Mid Point is the Recommended Size of Opening at Installation.

| DIMENSION CHART |           |           |           |                |                |
|-----------------|-----------|-----------|-----------|----------------|----------------|
| MODEL           | "A" @ Min | "A" @ Mid | "A" @ Max | "B"            | TOTAL MOVEMENT |
| ESFX-400        | 1" (25)   | 4" (102)  | 6" (152)  | 10 3/8" (264)  | 5" (127)       |
| ESFX-600        | 1" (25)   | 6" (152)  | 9" (229)  | 13 3/4" (349)  | 8" (203)       |
| ESFX-800        | 1" (25)   | 8" (203)  | 12" (305) | 15 3/4" (400)  | 11" (279)      |
| ESFX-1000       | 1" (25)   | 10" (254) | 15" (381) | 18 3/4" (476)  | 14" (356)      |
| ESFX-1200       | 1" (25)   | 12" (305) | 18" (457) | 21 3/4" (476)  | 17" (432)      |
| ESFX-1800       | 1" (25)   | 18" (457) | 27" (686) | 31 3/4" (806)  | 26" (660)      |
| ESFX-2400       | 1" (25)   | 24" (607) | 36" (914) | 40 3/4" (1035) | 35" (889)      |

|     |  |  |  |
|-----|--|--|--|
|     |  |  |  |
|     |  |  |  |
| NO. |  |  |  |



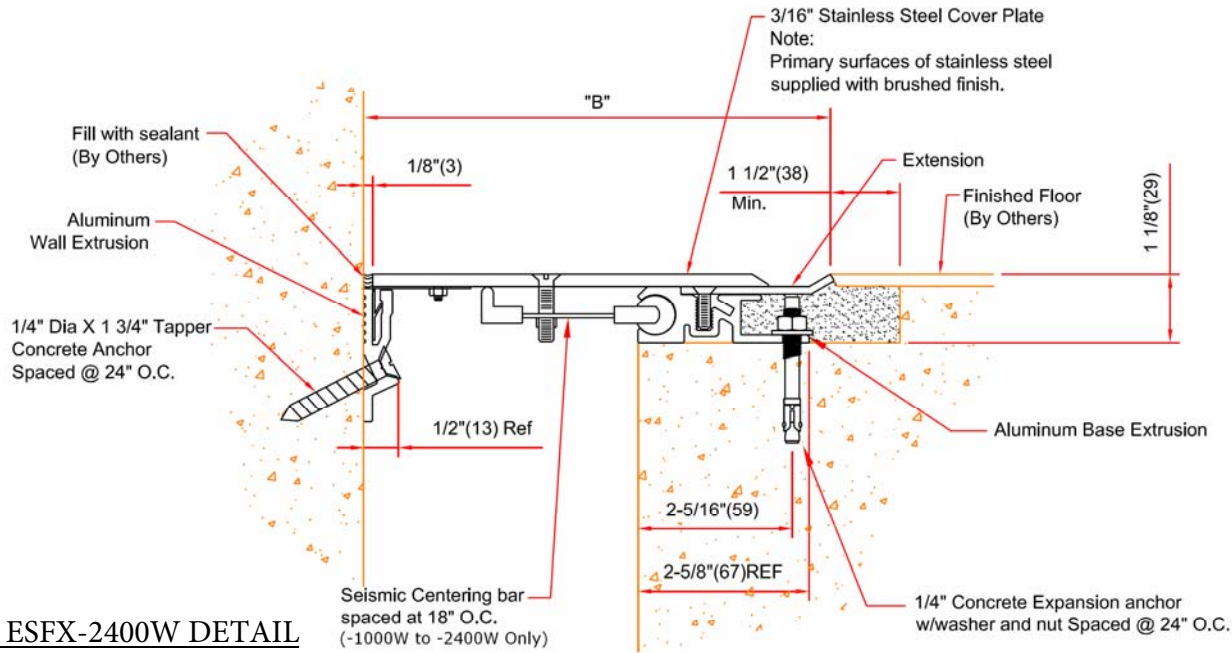
13311 Main Road • Akron • New York • 14001  
 Phone: (716) 542-3991 • Fax: (716) 542-3996 • E-mail: sales@eriemetal.com

**PROJECT:**

**TITLE:**

The information contained herein is the proprietary property of ERIE METAL SPECIALTIES, INC. No portion of it may be reproduced by any means or used in any form except for the purpose for which it was intended. All rights of design and invention are hereby reserved.

|                      |                   |
|----------------------|-------------------|
| Detailed by:<br>BAF  | Date:<br>10/21/17 |
| Checked By:<br>SLP   | Date:<br>10/21/17 |
| Scale:<br>NTS        | EMS Job #:        |
| Sheet No.:<br>1 of 1 | Drawing No.:      |



**ESFX-400W THRU ESFX-2400W DETAIL**  
**FLOOR TO WALL CONDITION**

( ) - Denotes Millimeters

Note: Minimum and Maximum Values are after Movement Occurs. Mid Point is the Recommended Size of Opening at Installation.

| DIMENSION CHART |           |           |               |               |                |
|-----------------|-----------|-----------|---------------|---------------|----------------|
| MODEL           | "A" @ Min | "A" @ Mid | "A" @ Max     | "B"           | TOTAL MOVEMENT |
| ESFX-400W       | 1" (25)   | 4" (102)  | 5 1/8" (130)  | 7 3/16" (183) | 4 1/8" (105)   |
| ESFX-600W       | 1" (25)   | 6" (152)  | 7 5/8" (194)  | 9 7/8" (251)  | 6 5/8" (168)   |
| ESFX-800W       | 1" (25)   | 8" (203)  | 10 1/8" (257) | 11 7/8" (302) | 9 1/8" (232)   |
| ESFX-1000W      | 1" (25)   | 10" (254) | 12 5/8" (321) | 14 3/8" (374) | 11 5/8" (295)  |
| ESFX-1200W      | 1" (25)   | 12" (305) | 15 1/8" (384) | 16 7/8" (429) | 14 1/8" (359)  |
| ESFX-1800W      | 1" (25)   | 18" (457) | 22 5/8" (575) | 24 7/8" (632) | 21 5/8" (549)  |
| ESFX-2400W      | 1" (25)   | 24" (607) | 30 1/8" (765) | 32 3/8" (822) | 29 1/8" (740)  |

|     |  |  |  |
|-----|--|--|--|
|     |  |  |  |
|     |  |  |  |
|     |  |  |  |
| NO. |  |  |  |

The information contained herein is the proprietary property of ERIE METAL SPECIALTIES, INC. No portion of it may be reproduced by any means or used in any form except for the purpose for which it was intended. All rights of design and invention are hereby reserved.



13311 Main Road • Akron • New York • 14001  
 Phone: (716) 542-3991 • Fax: (716) 542-3996 • E-mail: sales@eriemetal.com

**PROJECT:**

**TITLE:**

|                      |                   |
|----------------------|-------------------|
| Detailed by:<br>BAF  | Date:<br>10/21/17 |
| Checked By:<br>SLP   | Date:<br>10/21/17 |
| Scale:<br>NTS        | EMS Job #:        |
| Sheet No.:<br>1 of 1 | Drawing No.:      |