

EFCT Series Wall System

The Seismic Architectural Wall System is a wall and ceiling system designed to accommodate both thermal and multi-directional movement. The system provides a simple, attractive and durable solution for internal environments.

FEATURES

SEISMIC CENTERING BAR System realigns itself with the self-centering bar, maintaining a safe, clean look.

ARCHITECTURAL ELEGANCE The clear anodized cover plate finish provides a high-end appearance.

DETAILS

MATERIAL

6063-T5 Aluminum, Meets ASTM B221

6061-T6 Aluminum, Meets ASTM B209

5052-H32 Aluminum, Meets ASTM B209

FINISH Clear Anodized

MOVEMENT

- Thermal: Horizontal and Vertical
- Seismic: Lateral Shear

MOUNTING Surface

JOINT SIZE 2 inches to 12 inches

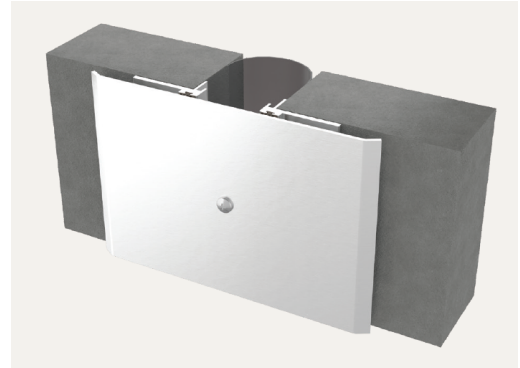
LENGTH 10 Linear Feet

APPLICATION Interior

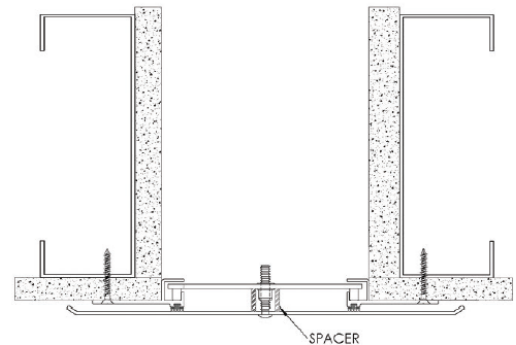
INSTALLATION Wall or Ceiling

OPTIONS Moisture Barrier, Fire Barrier

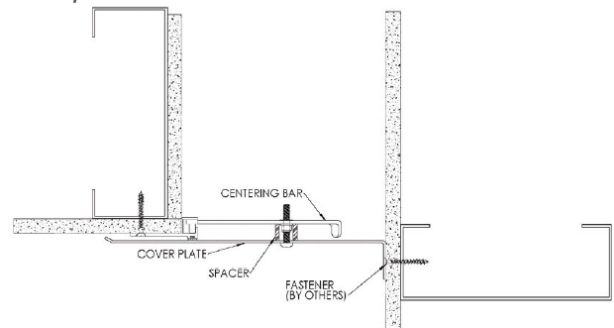
MODELS



WALL/CEILING-TO-WALL/CEILING



WALL/CEILING TO CORNER



MODEL	APPLICATION	JOINT SIZE AT MEAN T°F	EXPOSED SIGHT LINE	TOTAL MOVEMENT
EFCT-200	Wall/Ceiling to Wall/Ceiling	2" (51mm)	7" (177mm)	2" (51mm)
EFCT-400	Wall/Ceiling to Wall/Ceiling	4" (102mm)	10.5" (267mm)	4" (102mm)
EFCT-600	Wall/Ceiling to Wall/Ceiling	6" (152mm)	13.5" (343mm)	6" (152mm)
EFCT-800	Wall/Ceiling to Wall/Ceiling	8" (203mm)	16.5" (419mm)	8" (203mm)
EFCT-1000	Wall/Ceiling to Wall/Ceiling	10" (254mm)	19.5" (495mm)	10" (254mm)
EFCT-1200	Wall/Ceiling to Wall/Ceiling	12" (305mm)	22.5" (572mm)	12" (305mm)
EFCT-200W	Wall/Ceiling to Corner	2" (51mm)	4.5" (114mm)	1" (25mm)
EFCT-400W	Wall/Ceiling to Corner	4" (102mm)	7.25" (184mm)	2" (51mm)
EFCT-600W	Wall/Ceiling to Corner	6" (152mm)	9.75" (248mm)	3" (76mm)
EFCT-800W	Wall/Ceiling to Corner	8" (203mm)	12.25" (311mm)	4" (102mm)
EFCT-1000W	Wall/Ceiling to Corner	10" (254mm)	14.75" (375mm)	5" (127mm)
EFCT-1200W	Wall/Ceiling to Corner	12" (305mm)	17.25" (438mm)	6" (152mm)



Erie Metal Specialties, Inc.
13311 Main Road
Akron, NY 14001

Phone: 716-542-3991
Website: www.eriemetal.com
E-Mail: sales@eriemetal.com