

ELCFS Series - Top Mount Application

FEATURES

COMPLEMENTARY SEAL COLORS Available in four elastomeric colors: beige, white, gray or black.

COORDINATING CORNERS Available with corner option for a complete floor solution.

DETAILS

MATERIAL

6063-T5 Aluminum, Meets ASTB B221 & Santoprene

FINISH Mill

MOVEMENT

- Thermal: Horizontal

MOUNTING Surface

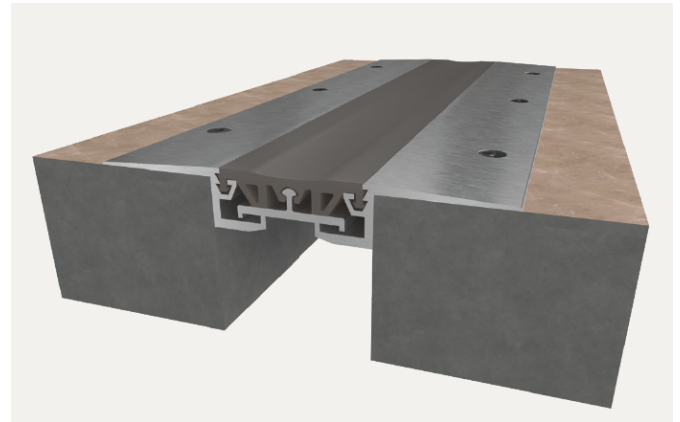
JOINT SIZE 1 inch to 3 inches

LENGTH 10 Linear Feet

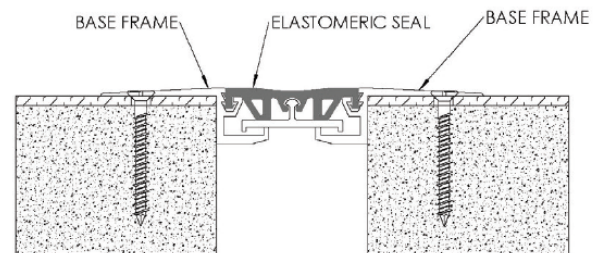
LOAD Pedestrian and Light Cart

INSTALLATION Floor

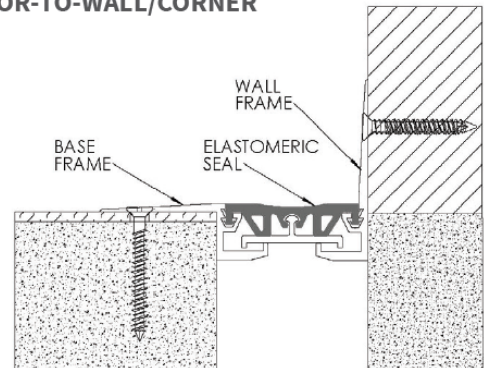
OPTIONS Moisture barrier, fire barrier and additional materials, sizes and finishes upon request



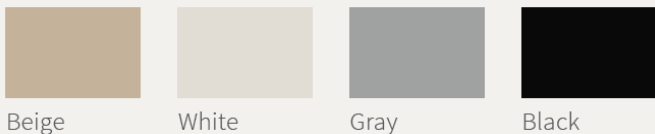
FLOOR-TO-FLOOR



FLOOR-TO-WALL/CORNER



SEAL COLORS



MODELS

MODEL	APPLICATION	JOINT SIZE AT MEAN T°F	EXPOSED SIGHT LINE	TOTAL MOVEMENT
ELCFS-100	Floor to Floor	1" (25mm)	4" (102mm)	.5" (13mm)
ELCFS-200	Floor to Floor	2" (51mm)	5" (127mm)	1" (25mm)
ELCFS-300	Floor to Floor	3" (76mm)	6" (152mm)	1.02" (26mm)
ELCFS-100W	Floor to Wall	1" (25mm)	2.5" (64mm)	.5" (13mm)
ELCFS-200W	Floor to Wall	2" (51mm)	3.5" (89mm)	1" (25mm)
ELCFS-300W	Floor to Wall	3" (76mm)	4.5" (114mm)	1.02" (26mm)



Erie Metal Specialties, Inc.
13311 Main Road
Akron, NY 14001

Phone: 716-542-3991
Website: www.eriemetal.com
E-Mail: sales@eriemetal.com