

# ALCPS-Series (Aluminum Smooth Surface)

## INSTALLATION INSTRUCTIONS

The following installation procedure is very important and must be fully understood prior to beginning any work. To ensure proper installation and performance of the aluminum cover plate system the following must be completed by the installing contractor. Failure to do so will affect product warranty.

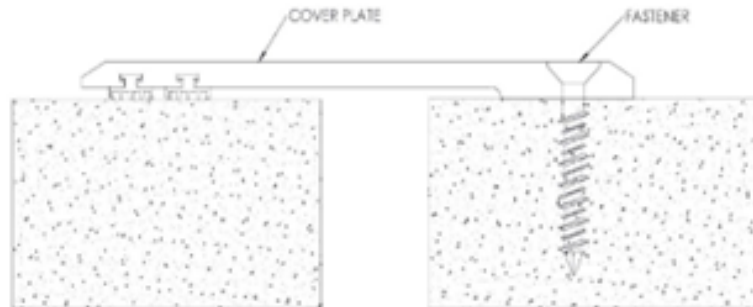
### Material Preparation

1. Carefully read and understand installation procedure. Contact Technical Service Department (716-542-3991) for product assistance.
2. Inspect all shipments and materials for missing or damaged components and hardware. Contact Customer Service (716-542-3991) with order number for prompt assistance.
3. Inspect substrate or adjacent construction for acceptance before beginning work. Report unacceptable construction to the project manager for scheduled repair work.

### Tool List

- \*Tape Measure
- \*Chop saw to cut product to length
- \*Electric drill with 1/4" masonry bit
- \*Broom & dustpan or vacuum

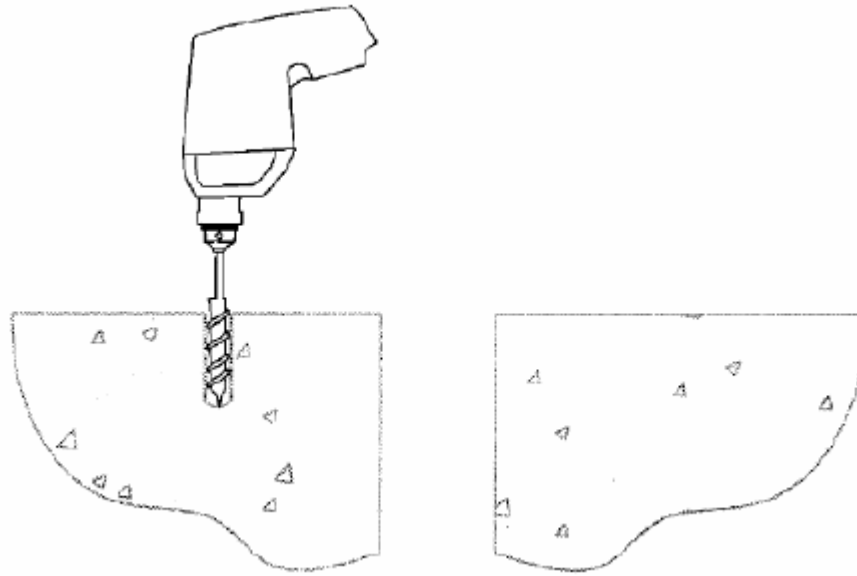
### Material Installation



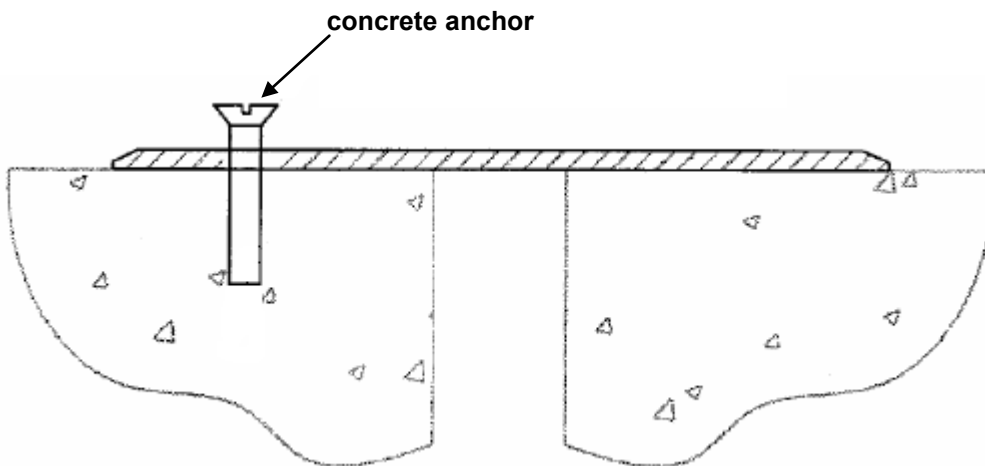
1. Cut and fit cover plate to required length, if installing more than one piece, lay out entire run to ensure proper alignment. Make sure that the pre-drilled holes are lined up at least 1-1/2" from the edge of the expansion joint.



## Material Installation



2. Drill end holes first, this ensures the cover plate will not move and alignment with other joints is obtained. Cover plates are supplied with predrilled holes, using a 1/4" concrete drill bit drill holes to a depth of 2-1/2".



3. Insert the supplied sleeve anchor into the hole so the head is flush with the top surface of the cover plate. Expand the anchor by tightening the head 2 to 3 turns.
4. Once anchors are in the end holds, drill remaining holes and install anchors.