

INTERIOR WALL/CEILING FLAT/CORNER COVER

EXPOSED FINISH: CLEAR ANODIZED

MOVEMENT: +/- 50% JOINT WIDTH (FLAT COVER)

MOVEMENT: +/- 25% JOINT WIDTH (CORNER COVER)

STOCK LENGTHS: 10'-0"

PRODUCT	Application	Joint Size "A" @ Mean T°F	Exposed Site line "B" IN(MM)	Total Movement IN (MM)
EFCT-200	Wall/Ceiling	2.00" (51)	7.00" (177)	2.00" (51)
EFCT-200W	Wall/Ceiling Corner	2.00" (51)	4.50" (114)	1.00" (25)

NO.	Description	Date	By
<small>The information contained herein is the proprietary property of ERIE METAL SPECIALTIES, INC. No portion of it may be reproduced by any means or used in any form except for the purpose for which it was intended. All rights of design and invention are hereby reserved.</small>			

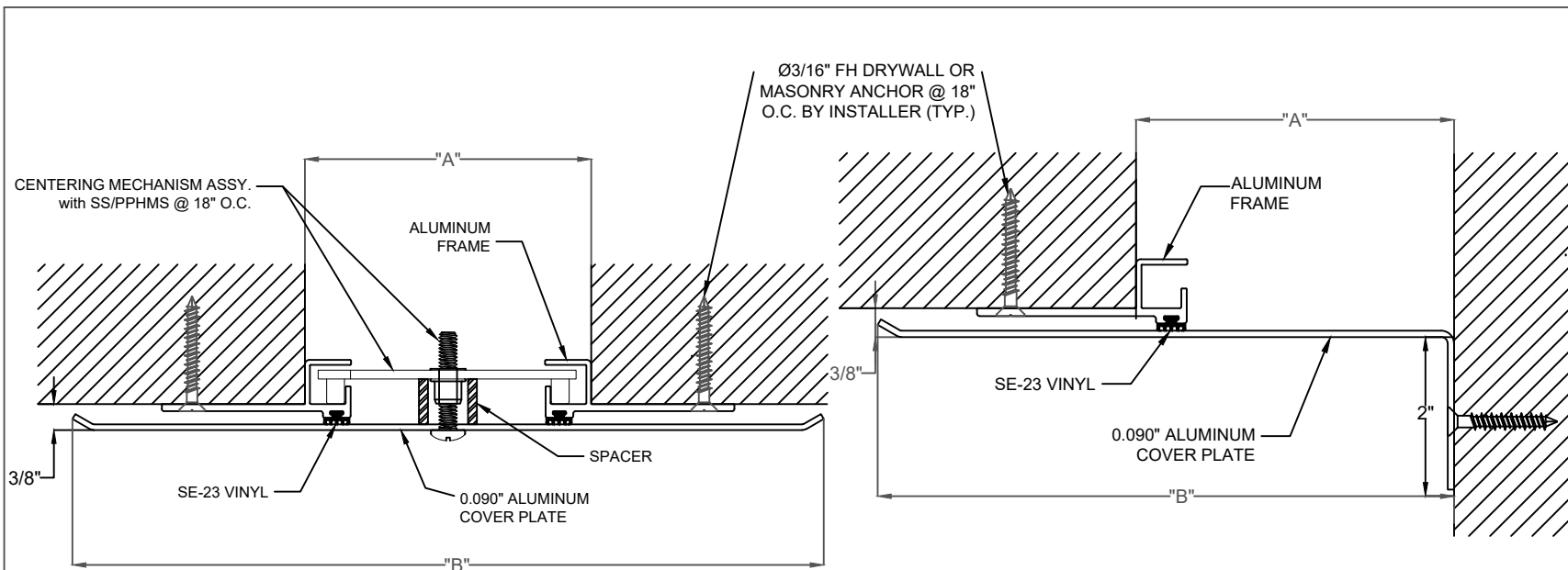


13311 Main Road * Akron * New York * 14001
 Phone: (716) 542-3991 * Fax: (716) 542-3996 * E-mail: sales@eriemetal.com

PROJECT: _____

TITLE: EFCT-200/200W

Detailed by: BAF	Date: 10/21/17
Checked by: SLP	Date: 10/21/17
Scale: NTS	EMS Job #:
Sheet No.: 1 of 1	Drawing No.: EFCT-1



INTERIOR WALL/CEILING FLAT/CORNER COVER

EXPOSED FINISH: CLEAR ANODIZED

MOVEMENT: +/- 50% JOINT WIDTH (FLAT COVER)

MOVEMENT: +/- 25% JOINT WIDTH (CORNER COVER)

STOCK LENGTHS: 10'-0"

PRODUCT	Application	Joint Size "A" @ Mean T°F	Exposed Site line "B" IN (MM)	Total Movement IN (MM)
EFCT-400	Wall/Ceiling	4.00" (102)	10.50" (267)	4.00" (102)
EFCT-600	Wall/Ceiling	6.00" (152)	13.50" (343)	6.00" (152)
EFCT-800	Wall/Ceiling	8.00" (203)	16.50" (419)	8.00" (203)
EFCT-400W	Wall/Ceiling Corner	4.00" (102)	7.25" (184)	2.00" (51)
EFCT-600W	Wall/Ceiling Corner	6.00" (152)	9.75" (248)	3.00" (76)
EFCT-800W	Wall/Ceiling Corner	8.00" (203)	12.25" (311)	4.00" (102)

NO.	Description	Date	By

The information contained herein is the proprietary property of ERIE METAL SPECIALTIES, INC. No portion of it may be reproduced by any means or used in any form except for the purpose for which it was intended. All rights of design and invention are hereby reserved.

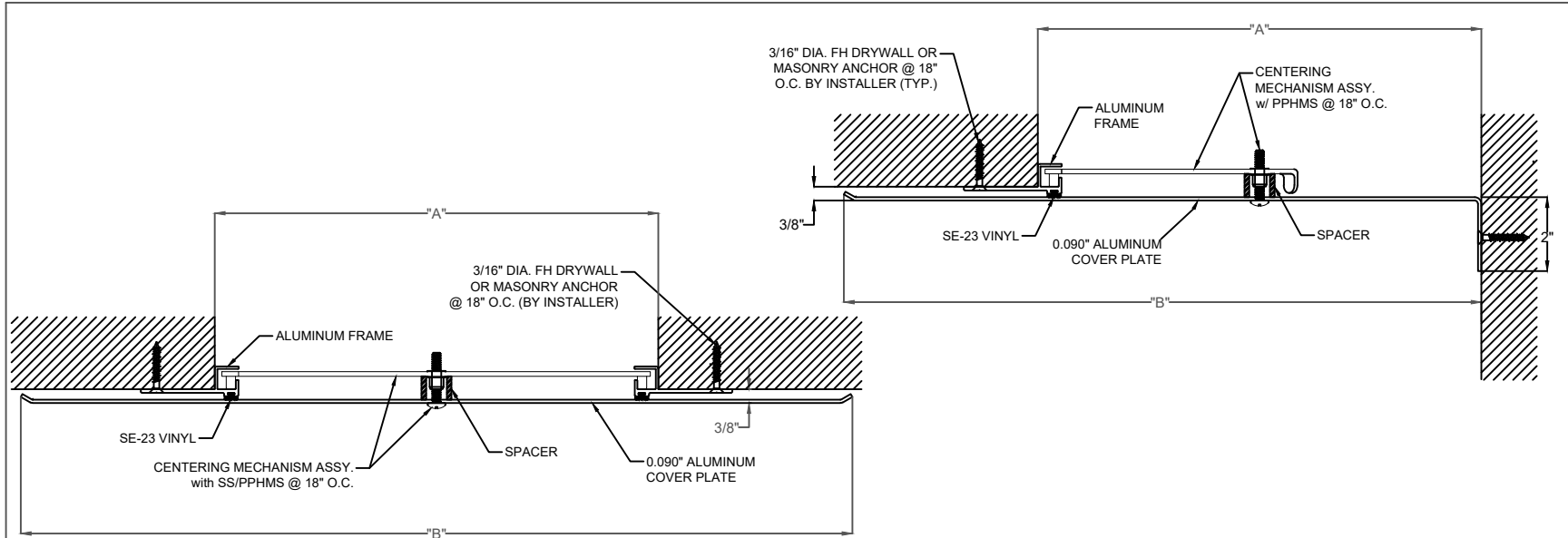


13311 Main Road * Akron * New York * 14001
 Phone: (716) 542-3991 * Fax: (716) 542-3996 * E-mail: sales@eriemetal.com

PROJECT: _____

TITLE: EFCT-400/400W, 600/600W, 800/800W

Detailed by: BAF	Date: 10/21/17
Checked by: SLP	Date: 10/21/17
Scale: NTS	EMS Job #:
Sheet No.: 1 of 1	Drawing No.: EFCT-1



INTERIOR WALL/CEILING FLAT/CORNER COVER

EXPOSED FINISH: CLEAR ANODIZED

MOVEMENT: +/- 50% JOINT WIDTH (FLAT COVER)

MOVEMENT: +/- 25% JOINT WIDTH (CORNER COVER)

STOCK LENGTHS: 10'-0"

PRODUCT	Application	Joint Size "A" @ Mean T°F	Exposed Site line "B" IN(MM)	Total Movement IN (MM)
EFCT-1000	Wall/Ceiling	10.00" (254)	19.50" (495)	10.00" (254)
EFCT-1200	Wall/Ceiling	12.00" (305)	22.50" (572)	12.00" (305)
EFCT-1000W	Wall/Ceiling Corner	10.00" (254)	14.75" (375)	5.00" (127)
EFCT-1200W	Wall/Ceiling Corner	12.00" (305)	17.25" (438)	6.00" (152)

NO.	Description	Date	By
<small>The information contained herein is the proprietary property of ERIE METAL SPECIALTIES, INC. No portion of it may be reproduced by any means or used in any form except for the purpose for which it was intended. All rights of design and invention are hereby reserved.</small>			



13311 Main Road * Akron * New York * 14001
 Phone: (716) 542-3991 * Fax: (716) 542-3996 * E-mail: sales@eriemetal.com

PROJECT:

TITLE: EFCT-1000/1000W, 1200/1200W

Detailed by:	Date:
BAF	10/21/17
Checked by:	Date:
SLP	10/21/17
Scale:	EMS Job #:
NTS	
Sheet No.:	Drawing No.:
1 of 1	EFCT-1