

SEAL COLOR SELECTOR			
BLACK	_____	WHITE	_____
BEIGE	_____	GRAY	_____

FLOOR - FLOOR/WALL SURFACE MOUNT TILE SYSTEM
 EXPOSED FINISH: MILL
 MOVEMENT: +/- 25% JOINT WIDTH
 STOCK LENGTHS: 10'-0"

PRODUCT	Application	Joint Size "A" @ Mean T°F	Exposed Site line "B" IN(MM)	Total Movement IN (MM)
ELCFT-100	Floor-Floor	1.00" (25)	4.00" (102)	0.50" (13)
ELCFT-100W	Floor-Wall	1.00" (25)	2.50" (64)	0.50" (13)

NO.	Description	Date	By
<small>The information contained herein is the proprietary property of ERIE METAL SPECIALTIES, INC. No portion of it may be reproduced by any means or used in any form except for the purpose for which it was intended. All rights of design and invention are hereby reserved.</small>			

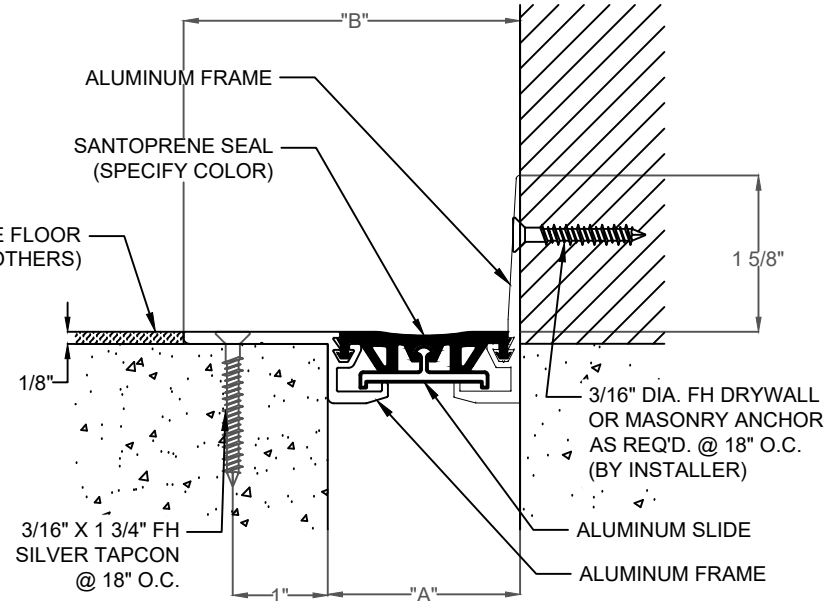
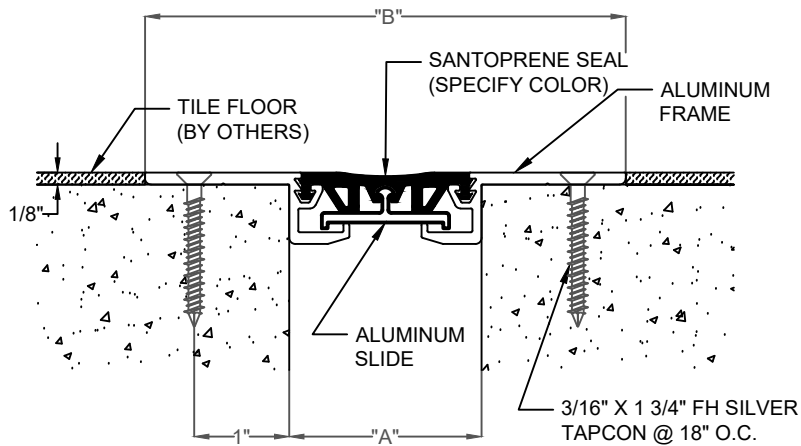


13311 Main Road * Akron * New York * 14001
 Phone: (716) 542-3991 * Fax: (716) 542-3996 * E-mail: sales@eriemetal.com

PROJECT: _____

TITLE: ELCFT-100/100W

Detailed by:	Date:
BAF	10/21/17
Checked by:	Date:
SLP	10/21/17
Scale:	EMS Job #:
NTS	
Sheet No.:	Drawing No.:
1 of 1	ELCFT-1



SEAL COLOR SELECTOR			
BLACK	_____	WHITE	_____
BEIGE	_____	GRAY	_____

FLOOR - FLOOR/WALL SURFACE MOUNT TILE SYSTEM

EXPOSED FINISH: MILL
 MOVEMENT: +/- 25% JOINT WIDTH
 STOCK LENGTHS: 10'-0"

PRODUCT	Application	Joint Size "A" @ Mean T°F	Exposed Site line "B" IN(MM)	Total Movement IN (MM)
ELCFT-200	Floor-Floor	2.00" (51)	5.00" (127)	1.00" (25)
ELCFT-300	Floor-Floor	3.00" (76)	6.00" (152)	1.02" (26)
ELCFT-200W	Floor-Wall	2.00" (51)	3.50" (89)	1.00" (25)
ELCFT-300W	Floor-Wall	3.00" (76)	4.50" (114)	1.02" (26)

NO.	Description	Date	By
<small>The information contained herein is the proprietary property of ERIE METAL SPECIALTIES, INC. No portion of it may be reproduced by any means or used in any form except for the purpose for which it was intended. All rights of design and invention are hereby reserved.</small>			



13311 Main Road * Akron * New York * 14001
 Phone: (716) 542-3991 * Fax: (716) 542-3996 * E-mail: sales@eriemetal.com

PROJECT: _____

TITLE: ELCFT-200/200W, 300/300W

Detailed by:	Date:
BAF	10/21/17
Checked by:	Date:
SLP	10/21/17
Scale:	EMS Job #:
NTS	
Sheet No.:	Drawing No.:
1 of 1	ELCFT-1