

| SEAL COLOR SELECTOR |       |       |       |
|---------------------|-------|-------|-------|
| BLACK               | _____ | WHITE | _____ |
| BEIGE               | _____ | GRAY  | _____ |

***EXTERIOR WALL & CEILING/CORNER FLAT SYSTEM***

MOVEMENT: +/- 50% NOMINAL JOINT WIDTH  
 STOCK LENGTHS: ALUMINUM FRAMES: 10'  
 SEAL: CONTINUOUS

| PRODUCT   | Application         | Joint Size "A" @ Mean T°F | Exposed Site line: IN(MM) | Total Movement IN (MM) |
|-----------|---------------------|---------------------------|---------------------------|------------------------|
| EWJ-200   | Wall/Ceiling        | 2.00" (51)                | 2.00" (51)                | 2.00" (51)             |
| ELCE-200W | Wall/Ceiling Corner | 2.00" (51)                | 2.00" (51)                | 2.00" (51)             |

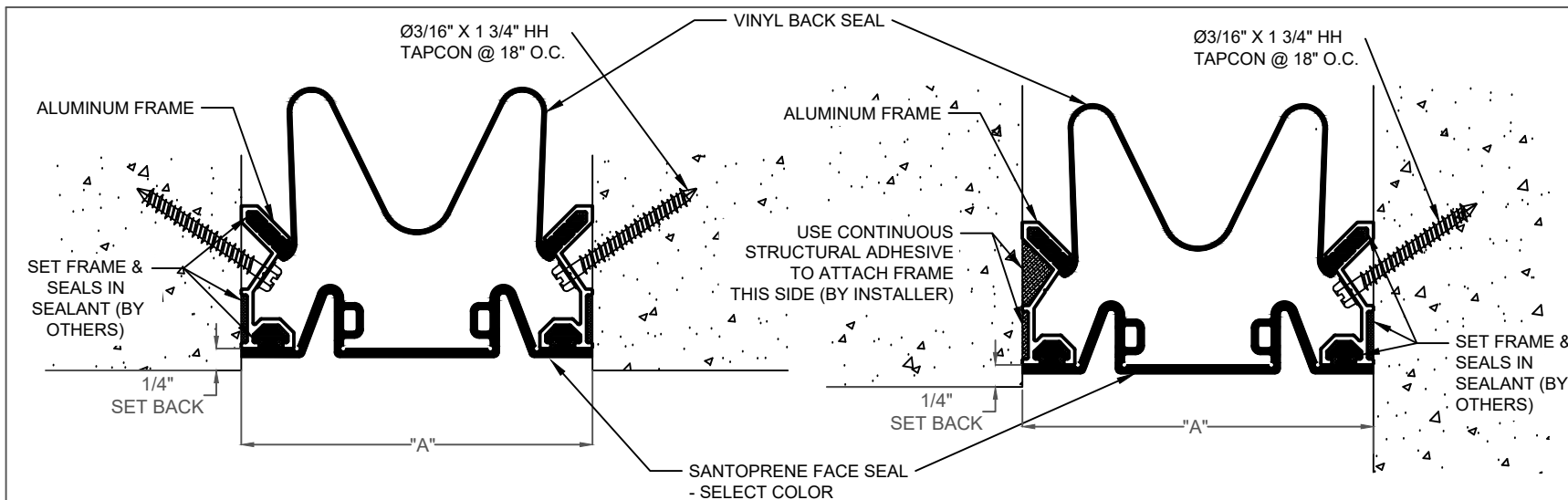
| NO.   | Description | Date | By |
|---|-------------|------|----|
| <small>The information contained herein is the proprietary property of ERIE METAL SPECIALTIES, INC. No portion of it may be reproduced by any means or used in any form except for the purpose for which it was intended. All rights of design and invention are hereby reserved.</small> |             |      |    |



13311 Main Road \* Akron \* New York \* 14001  
 Phone: (716) 542-3991 \* Fax: (716) 542-3996 \* E-mail: sales@eriemetal.com

|                     |
|---------------------|
| PROJECT:            |
| TITLE: EWJ-200/200W |

|              |              |
|--------------|--------------|
| Detailed by: | Date:        |
| BAF          | 10/21/17     |
| Checked by:  | Date:        |
| SLP          | 10/21/17     |
| Scale:       | EMS Job #:   |
| NTS          |              |
| Sheet No.:   | Drawing No.: |
| 1 of 1       | EWJ-1        |



\*Wall/Ceiling Sizes Up To 24" (contact EMS for info)

| SEAL COLOR SELECTOR |             |
|---------------------|-------------|
| BLACK _____         | WHITE _____ |
| BEIGE _____         | GRAY _____  |

***EXTERIOR WALL & CEILING/CORNER FLAT SYSTEM***

MOVEMENT: +/- 50% NOMINAL JOINT WIDTH  
 STOCK LENGTHS: ALUMINUM FRAMES: 10'  
 SEAL: CONTINUOUS

| PRODUCT  | Application         | Joint Size "A" @ Mean T°F | Exposed Site line: IN(MM) | Total Movement IN (MM) |
|----------|---------------------|---------------------------|---------------------------|------------------------|
| EWJ-300  | Wall/Ceiling        | 3.00" (76)                | 3.00" (76)                | 3.00" (76)             |
| EWJ-400  | Wall/Ceiling        | 4.00" (102)               | 4.00" (102)               | 4.00" (102)            |
| EWJ-500  | Wall/Ceiling        | 5.00" (127)               | 5.00" (127)               | 5.00" (127)            |
| EWJ-600  | Wall/Ceiling        | 6.00" (152)               | 6.00" (152)               | 6.00" (152)            |
| EWJ-300W | Wall/Ceiling Corner | 3.00" (76)                | 3.00" (76)                | 3.00" (76)             |
| EWJ-400W | Wall/Ceiling Corner | 4.00" (102)               | 4.00" (102)               | 4.00" (102)            |

|   |             |      |    |
|---|-------------|------|----|
|   |             |      |    |
|   |             |      |    |
|   |             |      |    |
|   |             |      |    |
| NO.   | Description | Date | By |
| <small>The information contained herein is the proprietary property of ERIE METAL SPECIALTIES, INC. No portion of it may be reproduced by any means or used in any form except for the purpose for which it was intended. All rights of design and invention are hereby reserved.</small> |             |      |    |



13311 Main Road \* Akron \* New York \* 14001  
 Phone: (716) 542-3991 \* Fax: (716) 542-3996 \* E-mail: sales@eriemetal.com

PROJECT: \_\_\_\_\_

TITLE: EWJ-300/300W, 400/400W, 500, 600

|                      |                       |
|----------------------|-----------------------|
| Detailed by:<br>BAF  | Date:<br>10/21/17     |
| Checked by:<br>SLP   | Date:<br>10/21/17     |
| Scale:<br>NTS        | EMS Job #:            |
| Sheet No.:<br>1 of 1 | Drawing No.:<br>EWJ-1 |