

FLOOR-TO-FLOOR SURFACE APPLICATION

EXPOSED FINISH: MILL

MOVEMENT: +/- 100% JOINT WIDTH

STOCK LENGTHS: 10'0"

PRODUCT	Joint Size "A" @ Install IN (MM)	Max Width "A" at Install IN (MM)	Total Movement IN (MM)	System Width "B" IN (MM)	"C" IN (MM)
ALCP-100	1.00" (25)	1.50" (38)	1.00" (25)	4.00" (102)	0.75" (19)
ALCP-200	2.00" (51)	4.00" (102)	3.50" (89)	6.00" (152)	1.00" (25)
ALCP-300	3.00" (76)	7.00" (178)	5.50" (140)	8.00" (203)	1.25" (32)
ALCP-400	4.00" (102)	8.00" (203)	6.00" (152)	10.00" (254)	1.25" (32)
ALCP-500	5.00" (127)	10.00" (254)	9.00" (229)	12.00" (305)	1.25" (32)
ALCP-600 (Traffic Grade)	6.00" (152)	12.00" (305)	10.00" (254)	14.00" (356)	1.50" (38)

NO.	Description	Date	By
<small>The information contained herein is the proprietary property of ERIE METAL SPECIALTIES, INC. No portion of it may be reproduced by any means or used in any form except for the purpose for which it was intended. All rights of design and invention are hereby reserved.</small>			

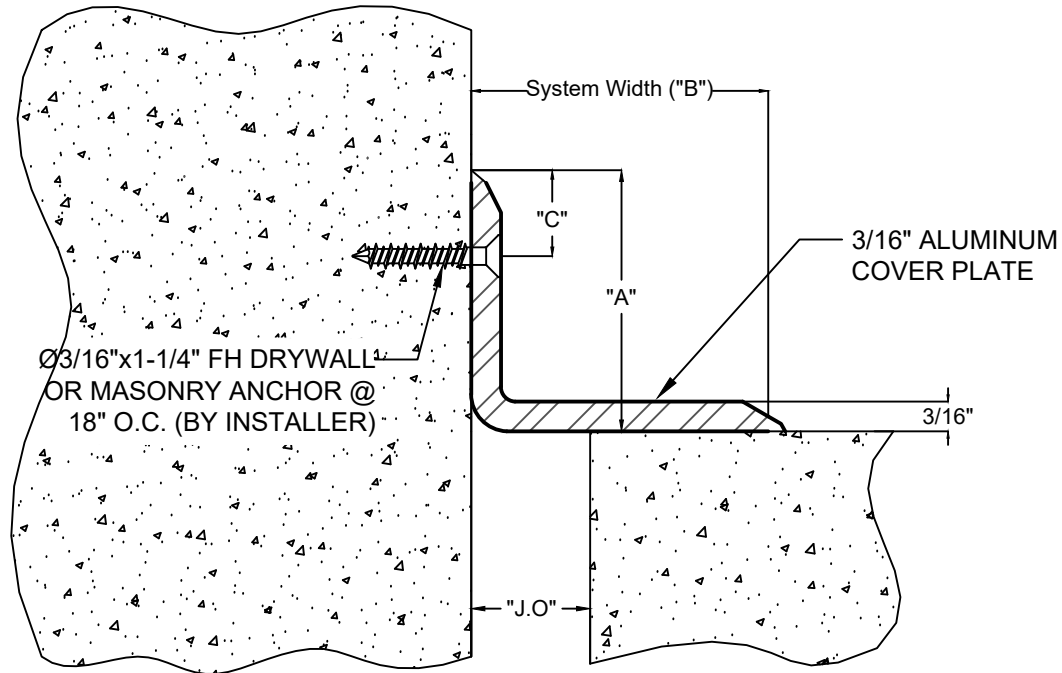


13311 Main Road * Akron * New York * 14001
 Phone: (716) 542-3991 * Fax: (716) 542-3996 * E-mail: sales@eriemetal.com

PROJECT: Floor-to-Floor Installation

TITLE: ALCP-Series Cover Plate

Detailed by: BAF	Date: 6/20/17
Checked by: SLP	Date: 6/20/17
Scale: NTS	EMS Job #:
Sheet No.: 1 of 1	Drawing No.: ALCP-001



FLOOR-TO-WALL SURFACE APPLICATION

EXPOSED FINISH: MILL

MOVEMENT: +/- 100% JOINT WIDTH

STOCK LENGTHS: 10'0"

PRODUCT	System Height "A" IN (MM)	Joint Size "J.O." at Mean T°F	Total Movement IN (MM)	System Width "B" IN (MM)	"C" IN (MM)
ALCPW-100	2.00" (50.8)	1.00" (25)	2.00" (50.8)	2.00" (50.8)	0.75" (19)
ALCPW-200	2.00" (50.8)	2.00" (50.8)	4.00" (102)	3.50" (88.9)	0.75" (19)
ALCPW-300	2.00" (50.8)	3.00" (76)	6.00" (152)	5.00" (127)	0.75" (19)
ALCPW-400	2.00" (50.8)	4.00" (102)	8.00" (203)	6.50" (165.1)	0.75" (19)
ALCPW-600	2.00" (50.8)	6.00" (152)	12.00" (305)	9.50" (241.3)	0.75" (19)

NO.	Description	Date	By

The information contained herein is the proprietary property of ERIE METAL SPECIALTIES, INC. No portion of it may be reproduced by any means or used in any form except for the purpose for which it was intended. All rights of design and invention are hereby reserved.



13311 Main Road * Akron * New York * 14001
 Phone: (716) 542-3991 * Fax: (716) 542-3996 * E-mail: sales@eriemetal.com

PROJECT: Floor-to-Wall Installation

TITLE: ALCPW-Series Cover Plate

Detailed by: BAF	Date: 6/20/17
Checked by: SLP	Date: 6/20/17
Scale: NTS	EMS Job #:
Sheet No.: 1 of 1	Drawing No.: ALCPW-001