

Dimension Chart												
Model	Joint Opening (J.O.)						Total Movement		S.W.		B	
	At Install		Allow Min.		At Max		inches	mm	inches	mm	inches	mm
	inches	mm	inches	mm	inches	mm						
ENBR-100	1	25	1/2	13	2 1/4	57	1.75	44	1.6	41	2.5	64
ENBR-200	2	51	1/2	13	4 1/4	108	3.75	95	2.6	66	3.5	89

NO.	Description	Date	By
The information contained herein is the proprietary property of ERIE METAL SPECIALTIES, INC. No portion of it may be reproduced by any means or used in any form except for the purpose for which it was intended. All rights of design and invention are hereby reserved.			

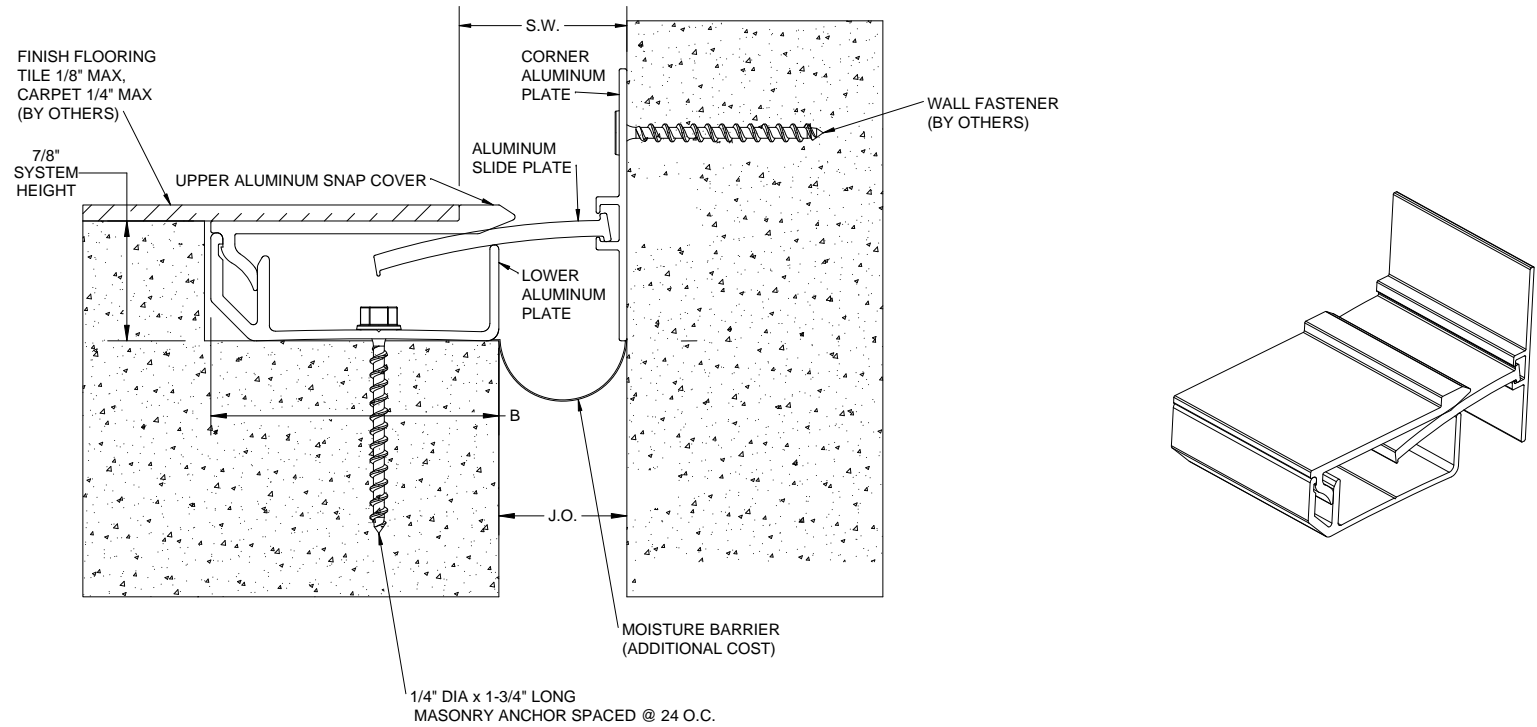


13311 Main Road • Akron • New York • 14001
 Phone: (716) 542-3991 • Fax: (716) 542-3996 • E-mail: sales@eriemetal.com

PROJECT:

TITLE:

Detailed by: BAF	Date: 10/21/17
Checked By: SLP	Date: 10/21/17
Scale: NTS	EMS Job #:
Sheet No.: 1 of 1	Drawing No.:



Dimension Chart

Model	Joint Opening (J.O.)						Total Movement		S.W.		B	
	At Install		Allow Min.		At Max		inches	mm	inches	mm	inches	mm
	inches	mm	inches	mm	inches	mm						
ENBR-100W	1	25	1/2	13	1 1/2	38	1	25	1.3	33	2.5	64
ENBR-200W	2	51	1	25	3 1/4	76	2.25	57	2.3	58	3.5	89

NO.			
-----	--	--	--

The information contained herein is the proprietary property of ERIE METAL SPECIALTIES, INC. No portion of it may be reproduced by any means or used in any form except for the purpose for which it was intended. All rights of design and invention are hereby reserved.

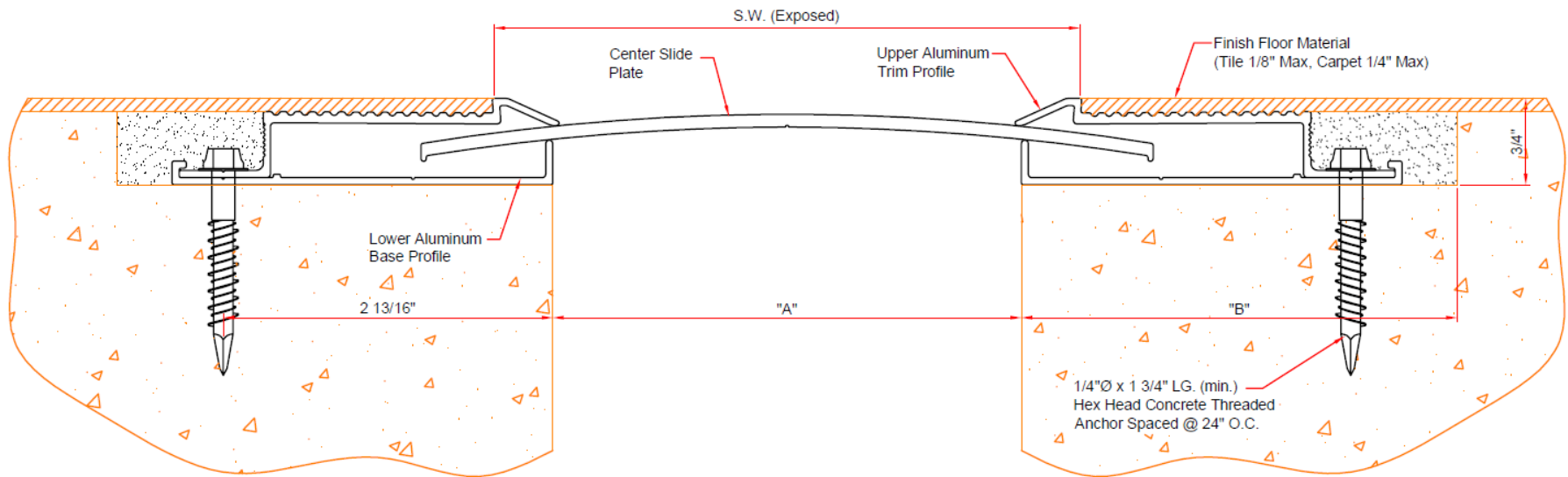


13311 Main Road • Akron • New York • 14001
 Phone: (716) 542-3991 • Fax: (716) 542-3996 • E-mail: sales@eriemetal.com

PROJECT:

TITLE:

Detailed by: BAF	Date: 10/21/17
Checked By: SLP	Date: 10/21/17
Scale: NTS	EMS Job #:
Sheet No.: 1 of 1	Drawing No.:



Typical Section

Floor To Floor

Dimension Chart												
Model	Joint Opening "A" (J.O.)						Total Movement		S.W.		B	
	At Install		Allow Min.		At Max		inches	mm	inches	mm	inches	mm
	inches	mm	inches	mm	inches	mm						
ENBR-H00	H	1 1/8	1.5	38	4.5	114	3	76	4	102	3.75	95
ENBR-I 00	4	102	2	51	6	152	4	102	5	127	3.75	95

NO.	Description	Date	By

The information contained herein is the proprietary property of ERIE METAL SPECIALTIES, INC. No portion of it may be reproduced by any means or used in any form except for the purpose for which it was intended. All rights of design and invention are hereby reserved.



13311 Main Road • Akron • New York • 14001
 Phone: (716) 542-3991 • Fax: (716) 542-3996 • E-mail: sales@eriemetal.com

PROJECT:

TITLE:

Detailed by: BAF	Date: 10/21/17
Checked By: SLP	Date: 10/21/17
Scale: NTS	EMS Job #:
Sheet No.: 1 of 1	Drawing No.: