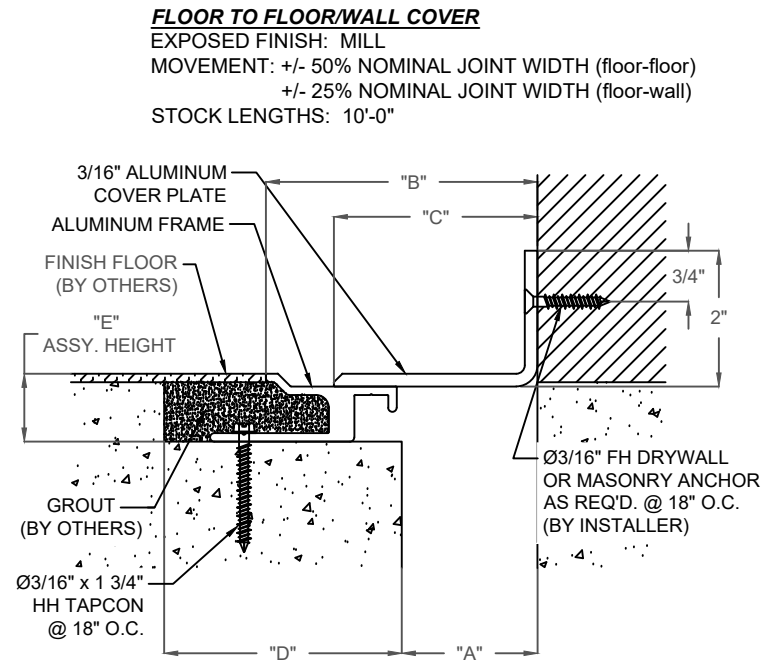
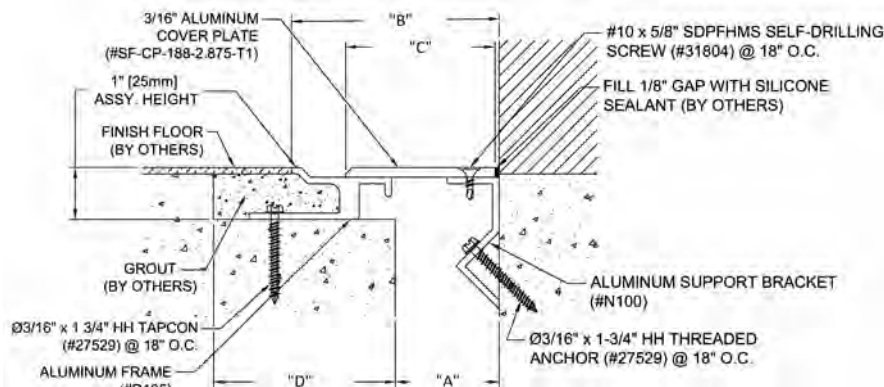


FLOOR-TO-FLOOR



FLOOR-TO-WALL



FLOOR-TO-WALL (HIDDEN)

PRODUCT	Application	Joint Size "A" @ Mean T°F	Exposed Site line "B" IN(MM)	Top Plate Width "C" IN(MM)	Blockout Width "D" IN(MM)	Assembly Height "E" IN(MM)	Total Movement IN (MM)
ESFG-200	Floor-Floor	2.00" (51)	6.00" (152)	4.00" (102)	3.50" (89)	1.00" (25)	2.00" (51)
ESFG-400	Floor-Floor	4.00" (102)	8.87" (225)	6.50" (165)	3.50" (89)	1.00" (25)	4.00" (102)
ESFG-600	Floor-Floor	6.00" (152)	15.00" (382)	11.00" (279)	6.00" (153)	1.125" (29)	6.00" (152)
ESFG-800	Floor-Floor	8.00" (203)	19.00" (483)	14.00" (356)	7.00" (178)	1.125" (29)	8.00" (203)
ESFG-1000	Floor-Floor	10.00" (254)	23.00" (584)	17.00" (432)	8.00" (203)	1.125" (29)	10.00" (254)
ESFG-1200	Floor-Floor	12.00" (305)	27.00" (686)	20.00" (508)	9.00" (229)	1.125" (29)	12.00" (305)
ESFG-200W	Floor-Wall	2.00" (51)	4.00" (102)	3.00" (76)	3.50" (89)	1.00" (25)	1.00" (25)
ESFG-400W	Floor-Wall	4.00" (102)	6.44" (164)	5.25" (133)	3.50" (89)	1.00" (25)	2.00" (51)
ESFG-600W	Floor-Wall	6.00" (152)	10.50" (267)	8.50" (216)	6.00" (153)	1.125" (29)	3.00" (76)
ESFG-800W	Floor-Wall	8.00" (203)	13.50" (343)	11.00" (279)	7.00" (178)	1.125" (29)	4.00" (102)
ESFG-1000W	Floor-Wall	10.00" (254)	16.50" (419)	13.50" (343)	8.00" (203)	1.125" (29)	5.00" (127)
ESFG-1200W	Floor-Wall	12.00" (305)	19.50" (495)	16.00" (406)	9.00" (229)	1.125" (29)	6.00" (152)

NO.	Description	Date	By

The information contained herein is the proprietary property of ERIE METAL SPECIALTIES, INC. No portion of it may be reproduced by any means or used in any form except for the purpose for which it was intended. All rights of design and invention are hereby reserved.



13311 Main Road * Akron * New York * 14001
 Phone: (716) 542-3991 * Fax: (716) 542-3996 * E-mail: sales@eriemetal.com

PROJECT: _____

TITLE: ESFG-200/200W - 1200/1200W

Detailed by: BAF	Date: 10/21/17
Checked by: SLP	Date: 10/21/17
Scale: NTS	EMS Job #:
Sheet No.: 1 of 1	Drawing No.: ESFG-1